

O430

FLAT HINGE WITH THREADED HOLE INSERT



Materials:

Reinforced polyamide.
Resistant to oils and greases.

Surface finish:

Satin.

Colour:

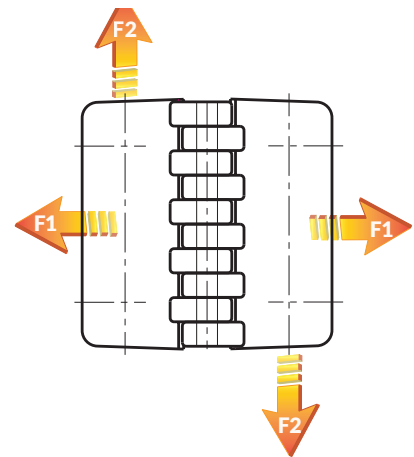
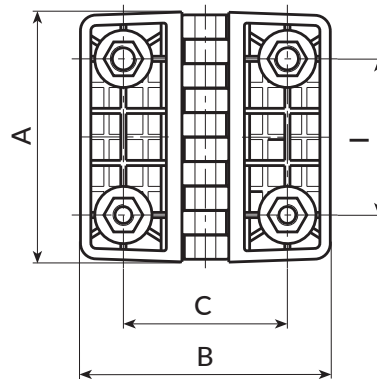
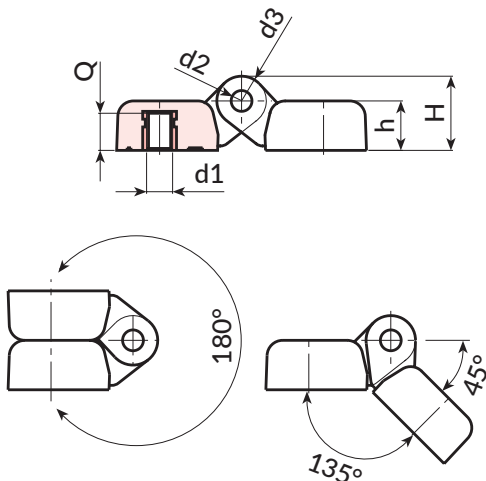
Black (RAL 9011).

Inserts:

Galvanised steel pin.
Brass insert with female threaded hole (thread tolerance 6H).

Special Requests:

- Upon request and for special quantities inserts can be supplied in different materials.
- Upon request and for special quantities available in the colours indicated in the chart [page].



Code	art.	I	C	A	B	h	H	d2	d3	d16H	Q	g	F1 (N)	F2 (N)
-	O43030.TM0501	30	30	48	48	10.5	15.5	5	10	M5	7	35	2000	1370
-	O43030.TM0601	30	30	48	48	10.5	15.5	5	10	M6	7	35	2000	1370
-	O43040.TM0601	40	40	64	64	13	19	5	12	M6	8,5	67	4100	1800
-	O43040.TM0801	40	40	64	64	13	19	5	12	M8	8,5	65	4100	1800
-	O43060.TM0801	60	63	96	96	19	28.5	8	19	M8	14	220	2450	2650
-	O43060.TM1001	60	63	96	96	19	28.5	8	19	M10	14	228	2450	2650