

INDEXED ZAMAK CLAMPING LEVER WITH THREADED STUD

Materials:

Lever body in die-cast zamak (zinc, aluminium and copper alloy).

Surface finish:

Smooth. Epoxy powder coating.

Lever body colour:

Glossy black (RAL 9005 cod. 01).
 Matt black (RAL 9005 cod. 20).
 Orange (RAL 2004 code 02).
 Red (RAL 3000 code 16).
 Silver (RAL 9006 cod. 83).
 Grey (RAL 7037 cod. 80).
 Blue (RAL 5015 code 07).
 Untreated lever (code GRE).

Inserts:

Black-oxide treated steel insert with threaded stud (thread tolerance 6g).

Fixing screw:

Black oxide treated steel screw with hexagon socket head.

Spring:

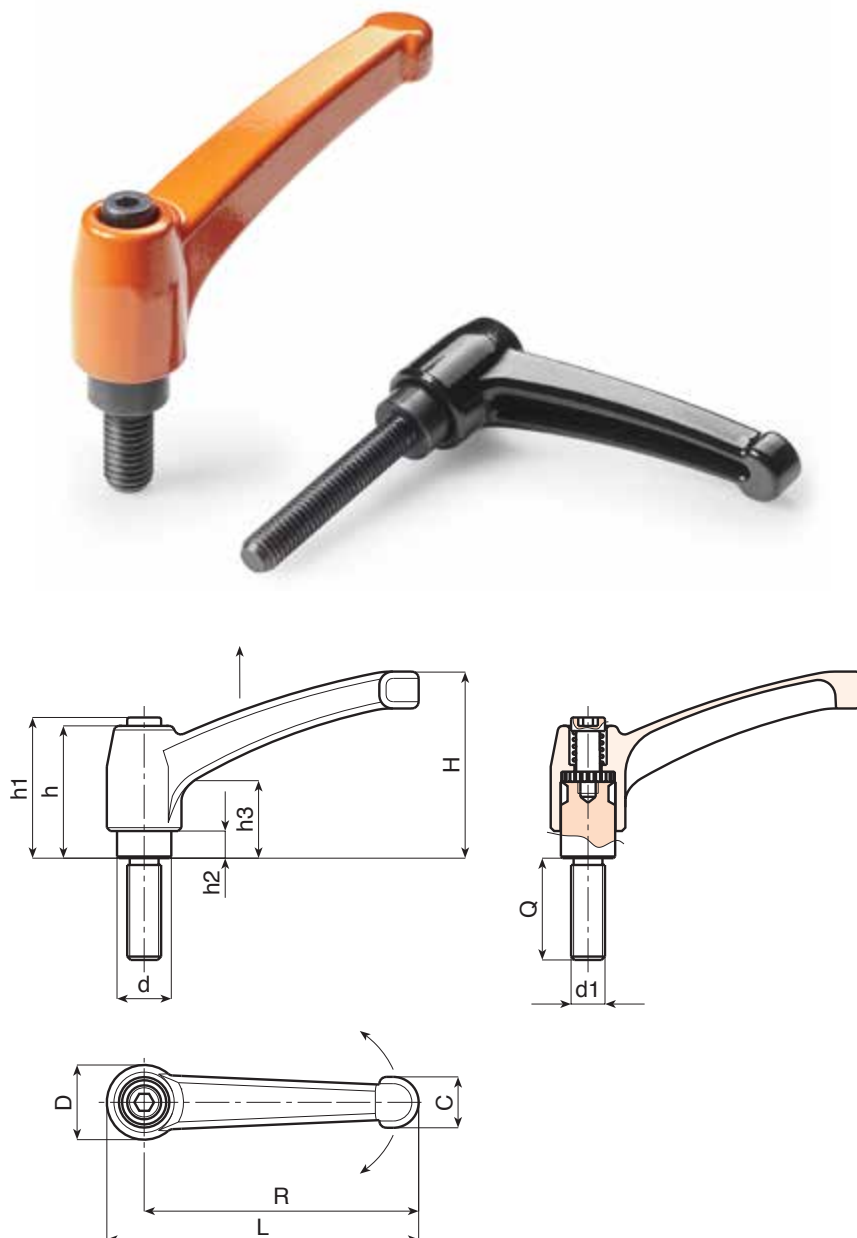
Stainless steel spring (Aisi 302).

Special requests:

- Upon request and for a minimum of 50 pieces inserts can be supplied with customised lengths.

Attention:

For lengths exceeding LM, the threaded stud is supplied galvanised and assembled.



Versione 01: Nero lucido (Ral 9005)

Code	Art.	L	R	H	D	d	c	h	h1	h2	h3	LM	d16g	Q	
-	A593043.ZM04X1601	50	43	30	14	10	9	26	30	5	14	50	M4	16	30
-	A593043.ZM04X2001	50	43	30	14	10	9	26	30	5	14	50	M4	20	30
-	A593043.ZM04X2501	50	43	30	14	10	9	26	30	5	14	50	M4	25	31
-	A593043.ZM04X3001	50	43	30	14	10	9	26	30	5	14	50	M4	30	31
-	A593043.ZM05X1601	50	43	30	14	10	9	26	30	5	14	50	M5	16	31
-	A593043.ZM05X2001	50	43	30	14	10	9	26	30	5	14	50	M5	20	32
-	A593043.ZM05X3001	50	43	30	14	10	9	26	30	5	14	50	M5	30	34
-	A593043.ZM05X4001	50	43	30	14	10	9	26	30	5	14	50	M5	40	35
-	A593043.ZM06X1601	50	43	30	14	10	9	26	30	5	14	60	M6	16	31
-	A593043.ZM06X2001	50	43	30	14	10	9	26	30	5	14	60	M6	20	32
-	A593043.ZM06X2501	50	43	30	14	10	9	26	30	5	14	60	M6	25	33
-	A593043.ZM06X3001	50	43	30	14	10	9	26	30	5	14	60	M6	30	34
-	A593043.ZM06X4001	50	43	30	14	10	9	26	30	5	14	60	M6	40	35
-	A593043.ZM06X5001	50	43	30	14	10	9	26	30	5	14	60	M6	50	36
-	A593043.ZM08X1601	50	43	30	14	10	9	26	30	5	14	60	M8	16	35
-	A593043.ZM08X2501	50	43	30	14	10	9	26	30	5	14	60	M8	25	38
-	A593043.ZM08X3001	50	43	30	14	10	9	26	30	5	14	60	M8	30	40
-	A593043.ZM08X4001	50	43	30	14	10	9	26	30	5	14	60	M8	40	43
-	A593043.ZM08X5001	50	43	30	14	10	9	26	30	5	14	60	M8	50	46

INDEXED ZAMAK CLAMPING LEVER WITH THREADED STUD

A

Code	Art.	L	R	H	D	d	c	h	h1	h2	h3	LM	d16g	Q	g
-	A593065.ZM06X2001	75	65	45	19	14	13	32	34	7	14	60	M6	20	82
-	A593065.ZM06X3001	75	65	45	19	14	13	32	34	7	14	60	M6	30	84
-	A593065.ZM06X4001	75	65	45	19	14	13	32	34	7	14	60	M6	40	86
-	A593065.ZM06X5001	75	65	45	19	14	13	32	34	7	14	60	M6	50	88
-	A593065.ZM08X1601	75	65	45	19	14	13	32	34	7	14	60	M8	16	82
-	A593065.ZM08X2001	75	65	45	19	14	13	32	34	7	14	60	M8	20	83
-	A593065.ZM08X2501	75	65	45	19	14	13	32	34	7	14	60	M8	25	84
-	A593065.ZM08X3001	75	65	45	19	14	13	32	34	7	14	60	M8	30	86
-	A593065.ZM08X3501	75	65	45	19	14	13	32	34	7	14	60	M8	35	88
-	A593065.ZM08X4001	75	65	45	19	14	13	32	34	7	14	60	M8	40	89
-	A593065.ZM08X4501	75	65	45	19	14	13	32	34	7	14	60	M8	45	90
-	A593065.ZM08X5001	75	65	45	19	14	13	32	34	7	14	60	M8	50	92
-	A593065.ZM10X2001	75	65	45	19	14	13	32	34	7	14	60	M10	20	89
-	A593065.ZM10X2501	75	65	45	19	14	13	32	34	7	14	60	M10	25	91
-	A593065.ZM10X3001	75	65	45	19	14	13	32	34	7	14	60	M10	30	94
-	A593065.ZM10X4001	75	65	45	19	14	13	32	34	7	14	60	M10	40	99
-	A593065.ZM10X5001	75	65	45	19	14	13	32	34	7	14	60	M10	50	104
-	A593080.ZM08X2001	91	80	57	22	16	16	40	42	8	16	60	M8	20	142
-	A593080.ZM08X2501	91	80	57	22	16	16	40	42	8	16	60	M8	25	144
-	A593080.ZM08X3001	91	80	57	22	16	16	40	42	8	16	60	M8	30	145
-	A593080.ZM08X3501	91	80	57	22	16	16	40	42	8	16	60	M8	35	147
-	A593080.ZM08X4001	91	80	57	22	16	16	40	42	8	16	60	M8	40	148
-	A593080.ZM08X5001	91	80	57	22	16	16	40	42	8	16	60	M8	50	151
-	A593080.ZM10X2001	91	80	57	22	16	16	40	42	8	16	60	M10	20	146
-	A593080.ZM10X2501	91	80	57	22	16	16	40	42	8	16	60	M10	25	148
-	A593080.ZM10X3001	91	80	57	22	16	16	40	42	8	16	60	M10	30	151
-	A593080.ZM10X3501	91	80	57	22	16	16	40	42	8	16	60	M10	35	153
-	A593080.ZM10X4001	91	80	57	22	16	16	40	42	8	16	60	M10	40	156
-	A593080.ZM10X5001	91	80	57	22	16	16	40	42	8	16	60	M10	50	161
-	A593080.ZM10X6001	91	80	57	22	16	16	40	42	8	16	60	M10	60	166
-	A593080.ZM12X2001	91	80	57	22	16	16	40	42	8	16	70	M12	20	150
-	A593080.ZM12X3001	91	80	57	22	16	16	40	42	8	16	70	M12	30	157
-	A593080.ZM12X4001	91	80	57	22	16	16	40	42	8	16	70	M12	40	164
-	A593080.ZM12X5001	91	80	57	22	16	16	40	42	8	16	70	M12	50	171
-	A593080.ZM12X6001	91	80	57	22	16	16	40	42	8	16	70	M12	60	178
-	A593094.ZM12X2001	107	94	65	26	20	17.5	47	50	10.5	19	70	M12	20	229
-	A593094.ZM12X3001	107	94	65	26	20	17.5	47	50	10.5	19	70	M12	30	236
-	A593094.ZM12X4001	107	94	65	26	20	17.5	47	50	10.5	19	70	M12	40	243
-	A593094.ZM12X5001	107	94	65	26	20	17.5	47	50	10.5	19	70	M12	50	250
-	A593094.ZM14X3001	107	94	65	26	20	17.5	47	50	10.5	19	70	M14	30	240
-	A593094.ZM14X3501	107	94	65	26	20	17.5	47	50	10.5	19	70	M14	35	245
-	A593094.ZM14X4001	107	94	65	26	20	17.5	47	50	10.5	19	70	M14	40	250
-	A593094.ZM14X5001	107	94	65	26	20	17.5	47	50	10.5	19	70	M14	50	260
-	A593094.ZM14X6001	107	94	65	26	20	17.5	47	50	10.5	19	70	M14	60	270
-	A593094.ZM16X3001	107	94	65	26	20	17.5	47	50	10.5	19	80	M16	30	254
-	A593094.ZM16X4001	107	94	65	26	20	17.5	47	50	10.5	19	80	M16	40	266
-	A593094.ZM16X5001	107	94	65	26	20	17.5	47	50	10.5	19	80	M16	50	278
-	A593108.ZM12X2501	123	108	75	30	23	20	54	56	12	23	80	M12	25	330
-	A593108.ZM12X5001	123	108	75	30	23	20	54	56	12	23	80	M12	50	347
-	A593108.ZM14X3001	123	108	75	30	23	20	54	56	12	23	80	M14	30	340
-	A593108.ZM14X4001	123	108	75	30	23	20	54	56	12	23	80	M14	40	360
-	A593108.ZM14X6001	123	108	75	30	23	20	54	56	12	23	80	M14	60	380
-	A593108.ZM16X3001	123	108	75	30	23	20	54	56	12	23	80	M16	30	342
-	A593108.ZM16X4001	123	108	75	30	23	20	54	56	12	23	80	M16	40	356
-	A593108.ZM16X5001	123	108	75	30	23	20	54	56	12	23	80	M16	50	370
-	A593108.ZM16X6001	123	108	75	30	23	20	54	56	12	23	80	M16	60	384

Lunghezza perno a richiesta con un minimo di 300 pezzi.
LM = maximum turning length.

