

A592CIN UPDATE



Zamak

UL94
HB



INDEXED ZAMAK CLAMPING LEVER WITH THREADED STAINLESS STEEL INSERT

INOX

Materials:

Lever body in die-cast zamak (zinc, aluminium and copper alloy).

Surface finish:

Smooth. Epoxy powder coating.

Lever body colour:

- Glossy black (RAL 9005 cod. 01).
- Matt black (RAL 9005 cod. 20).
- Orange (RAL 2004 code 02).
- Red (RAL 3000 code 16).
- Silver (RAL 9006 cod. 83).
- Grey (RAL 7037 cod. 80).
- Blue (RAL 5015 code 07).
- Untreated lever (code GRE).

Inserts:

Stainless steel insert with female threaded hole (Aisi 303) (thread tolerance 6H).

Fixing screw:

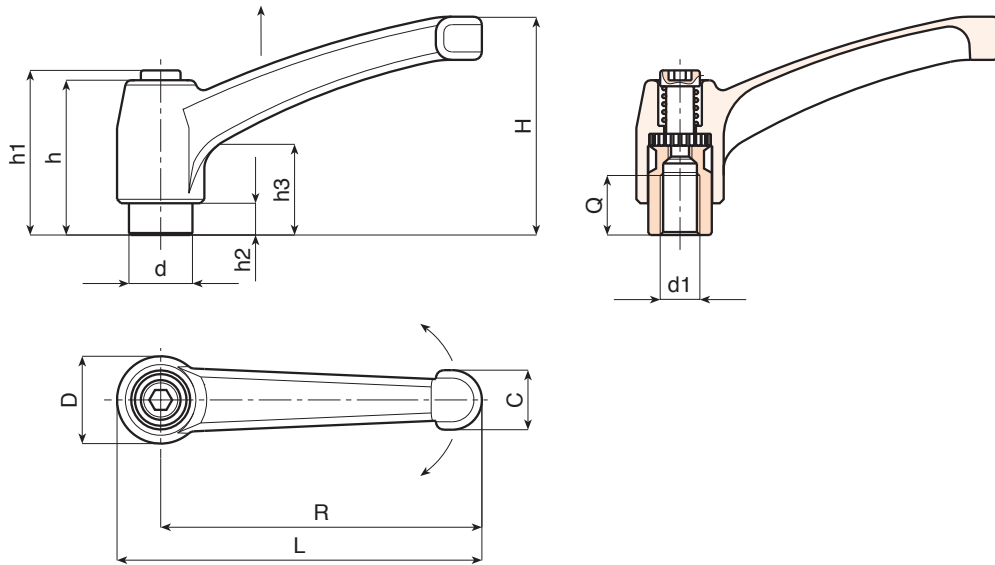
Stainless steel screw (AISI 303) with hexagon socket head.

Spring:

Stainless steel spring (Aisi 302).

Special requests:

- None.



Versione 01: Nero lucido (Ral 9005)

INOX

Code	Art.	L	R	H	D	d	c	h	h1	h2	h3	d16H	Q	
A592043.0006	A592043.ZM0501CIN	50	43	30	14	10	9	26	30	5	14	M5	9	30
A592043.0011	A592043.ZM0601CIN	50	43	30	14	10	9	26	30	5	14	M6	9	28
A592065.0002	A592065.ZM0601CIN	75	65	45	19	14	13	32	34	7	14	M6	10	78
A592065.0013	A592065.ZM0801CIN	75	65	45	19	14	13	32	34	7	14	M8	10	76
A592080.0014	A592080.ZM1001CIN	91	80	57	22	16	16	40	42	8	16	M10	13	130
A592080.0026	A592080.ZM1201CIN	91	80	57	22	16	16	40	42	8	16	M12	12	128
A592094.0003	A592094.ZM1001CIN	107	94	65	26	20	18	47	50	10.5	19	M10	17	191
A592094.0008	A592094.ZM1201CIN	107	94	65	26	20	18	47	50	10.5	19	M12	17	195
A592094.0014	A592094.ZM1401CIN	107	94	65	26	20	18	47	50	10.5	19	M14	17	190
-	A592108.ZM1401CIN	123	108	75	30	23	20	54	56	12	23	M14	26	298
-	A592108.ZM1601CIN	123	108	75	30	23	20	54	56	12	23	M16	26	284

A592CIN

UPDATE



INDEXED ZAMAK CLAMPING LEVER WITH THREADED STAINLESS STEEL INSERT

INOX

A

Versione 20: Nero opaco (Ral 9005)

INOX

Code	Art.	L	R	H	D	d	c	h	h1	h2	h3	d16H	Q	
-	A592043.ZM0520CIN	50	43	30	14	10	9	26	30	5	14	M5	9	30
A592043.0017	A592043.ZM0620CIN	50	43	30	14	10	9	26	30	5	14	M6	9	28
A592065.0007	A592065.ZM0620CIN	75	65	45	19	14	13	32	34	7	14	M6	10	78
A592065.0018	A592065.ZM0820CIN	75	65	45	19	14	13	32	34	7	14	M8	10	76
A592080.0020	A592080.ZM1020CIN	91	80	57	22	16	16	40	42	8	16	M10	13	130
-	A592080.ZM1220CIN	91	80	57	22	16	16	40	42	8	16	M12	12	128
-	A592094.ZM1020CIN	107	94	65	26	20	18	47	50	10.5	19	M10	17	191
A592094.0011	A592094.ZM1220CIN	107	94	65	26	20	18	47	50	10.5	19	M12	17	195
-	A592094.ZM1420CIN	107	94	65	26	20	18	47	50	10.5	19	M14	17	190
-	A592108.ZM1420CIN	123	108	75	30	23	20	54	56	12	23	M14	26	298
-	A592108.ZM1602CIN	123	108	75	30	23	20	54	56	12	23	M16	26	284
-	A592108.ZM1620CIN	123	108	75	30	23	20	54	56	12	23	M16	26	284

Versione 02: Arancio (Ral 2004)

INOX

Code	Art.	L	R	H	D	d	c	h	h1	h2	h3	d16H	Q	
-	A592043.ZM0502CIN	50	43	30	14	10	9	26	30	5	14	M5	9	30
-	A592043.ZM0602CIN	50	43	30	14	10	9	26	30	5	14	M6	9	28
A592065.0004	A592065.ZM0602CIN	75	65	45	19	14	13	32	34	7	14	M6	10	78
A592065.0015	A592065.ZM0802CIN	75	65	45	19	14	13	32	34	7	14	M8	10	76
A592080.0016	A592080.ZM1002CIN	91	80	57	22	16	16	40	42	8	16	M10	13	130
A592080.0028	A592080.ZM1202CIN	91	80	57	22	16	16	40	42	8	16	M12	12	128
-	A592094.ZM1002CIN	107	94	65	26	20	18	47	50	10.5	19	M10	17	191
-	A592094.ZM1202CIN	107	94	65	26	20	18	47	50	10.5	19	M12	17	195
-	A592094.ZM1402CIN	107	94	65	26	20	18	47	50	10.5	19	M14	17	190
-	A592108.ZM1402CIN	123	108	75	30	23	20	54	56	12	23	M14	26	298

Versione 80: Grigio (Ral 7037)

INOX

Code	Art.	L	R	H	D	d	c	h	h1	h2	h3	d16H	Q	
-	A592043.ZM0580CIN	50	43	30	14	10	9	26	30	5	14	M5	9	30
-	A592043.ZM0680CIN	50	43	30	14	10	9	26	30	5	14	M6	9	28
A592065.0009	A592065.ZM0680CIN	75	65	45	19	14	13	32	34	7	14	M6	10	78
A592065.0020	A592065.ZM0880CIN	75	65	45	19	14	13	32	34	7	14	M8	10	76
-	A592080.ZM1080CIN	91	80	57	22	16	16	40	42	8	16	M10	13	130
-	A592080.ZM1280CIN	91	80	57	22	16	16	40	42	8	16	M12	12	128
-	A592094.ZM1080CIN	107	94	65	26	20	18	47	50	10.5	19	M10	17	191
-	A592094.ZM1280CIN	107	94	65	26	20	18	47	50	10.5	19	M12	17	195
A592094.0018	A592094.ZM1480CIN	107	94	65	26	20	18	47	50	10.5	19	M14	17	190
-	A592108.ZM1480CIN	123	108	75	30	23	20	54	56	12	23	M14	26	298
-	A592108.ZM1680CIN	123	108	75	30	23	20	54	56	12	23	M16	26	284