

A583



“EUROMODEL” INDEXED CLAMPING LEVER WITH BUTTON AND THREADED STUD

Materials:

Special technopolymer reinforced with high-strength glass fiber.
Resistant to oils and greases.

Surface finish:

Satin.

Lever body and insert colour:

Black (RAL 9011).

Inserts:

Galvanised steel threaded stud (tolerance 6g).

Button:

Black polyamide button (RAL 9011).

Spring:

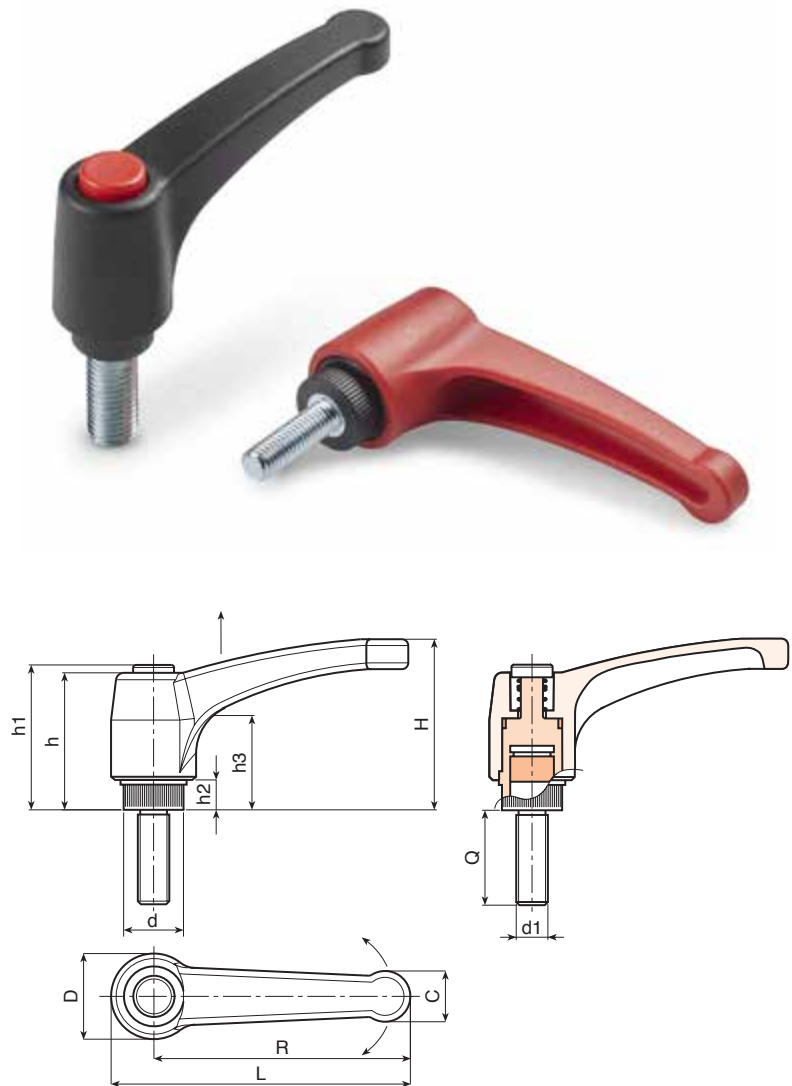
Stainless steel spring (Aisi 302).

Alternative lever body and button colours:

Orange (RAL 2004 code 02).
Blue (RAL 5015 code 07).
Yellow (RAL 1021 code 10).
Red (RAL 3000 code 16).
Green (RAL 6024 code 17).
Grey (RAL 7035 cod. 13).

Special requests:

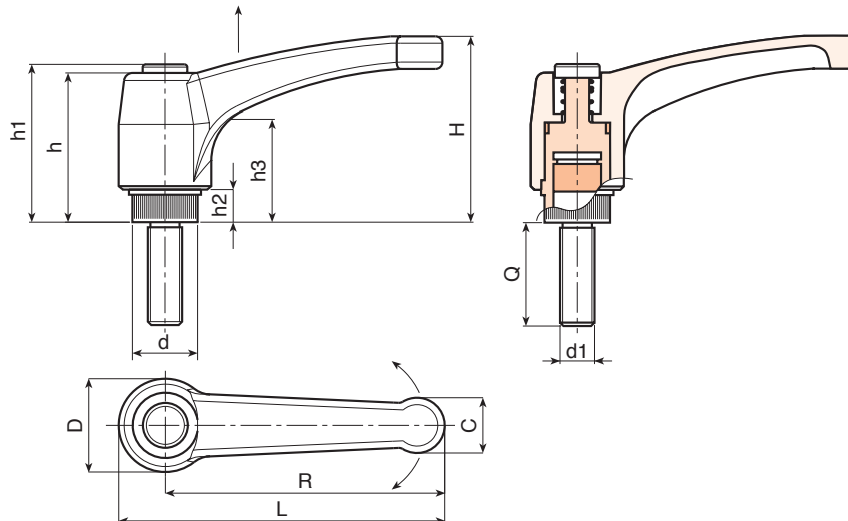
- Upon request and for special quantities inserts can be supplied with customised lengths.
- Upon request and for special quantities inserts can be supplied in different materials.
- Upon request and for special quantities available in the colours indicated in the chart (attention: reduced range) [page].



Code	Art.	L	R	H	D	d	c	h	h1	h2	h3	LM	d16g	Q	
-	A583043.TM04X1001	51	43	33	17	11.5	9	29	32	6	18	75	M4	10	9
-	A583043.TM04X1601	51	43	33	17	11.5	9	29	32	6	18	75	M4	16	10
-	A583043.TM04X2001	51	43	33	17	11.5	9	29	32	6	18	75	M4	20	10
-	A583043.TM04X2501	51	43	33	17	11.5	9	29	32	6	18	75	M4	25	11
-	A583043.TM04X3001	51	43	33	17	11.5	9	29	32	6	18	75	M4	30	11
-	A583043.TM04X4001	51	43	33	17	11.5	9	29	32	6	18	75	M4	40	12
-	A583043.TM05X1001	51	43	33	17	11.5	9	29	32	6	18	75	M5	10	12
-	A583043.TM05X1601	51	43	33	17	11.5	9	29	32	6	18	75	M5	16	13
-	A583043.TM05X2001	51	43	33	17	11.5	9	29	32	6	18	75	M5	20	13
-	A583043.TM05X2501	51	43	33	17	11.5	9	29	32	6	18	75	M5	25	14
-	A583043.TM05X3001	51	43	33	17	11.5	9	29	32	6	18	75	M5	30	15
-	A583043.TM05X4001	51	43	33	17	11.5	9	29	32	6	18	75	M5	40	16
-	A583043.TM06X1001	51	43	33	17	11.5	9	29	32	6	18	75	M6	10	14
-	A583043.TM06X1601	51	43	33	17	11.5	9	29	32	6	18	75	M6	16	15
-	A583043.TM06X2001	51	43	33	17	11.5	9	29	32	6	18	75	M6	20	15,5
-	A583043.TM06X2501	51	43	33	17	11.5	9	29	32	6	18	75	M6	25	16
-	A583043.TM06X3001	51	43	33	17	11.5	9	29	32	6	18	75	M6	30	16,5
-	A583043.TM06X4001	51	43	33	17	11.5	9	29	32	6	18	75	M6	40	18
-	A583043.TM06X5001	51	43	33	17	11.5	9	29	32	6	18	75	M6	50	19,5
-	A583052.TM06X1601	63	52	41	22	15	12	36	40	8	23	90	M6	16	22
-	A583052.TM06X2001	63	52	41	22	15	12	36	40	8	23	90	M6	20	23
-	A583052.TM06X2501	63	52	41	22	15	12	36	40	8	23	90	M6	25	24
-	A583052.TM06X3001	63	52	41	22	15	12	36	40	8	23	90	M6	30	25
-	A583052.TM06X3501	63	52	41	22	15	12	36	40	8	23	90	M6	35	26
-	A583052.TM06X4001	63	52	41	22	15	12	36	40	8	23	90	M6	40	27
-	A583052.TM06X5001	63	52	41	22	15	12	36	40	8	23	90	M6	50	28
-	A583052.TM08X1601	63	52	41	22	15	12	36	40	8	23	90	M8	16	24

A583

“EUROMODEL” INDEXED CLAMPING LEVER WITH BUTTON AND THREADED STUD

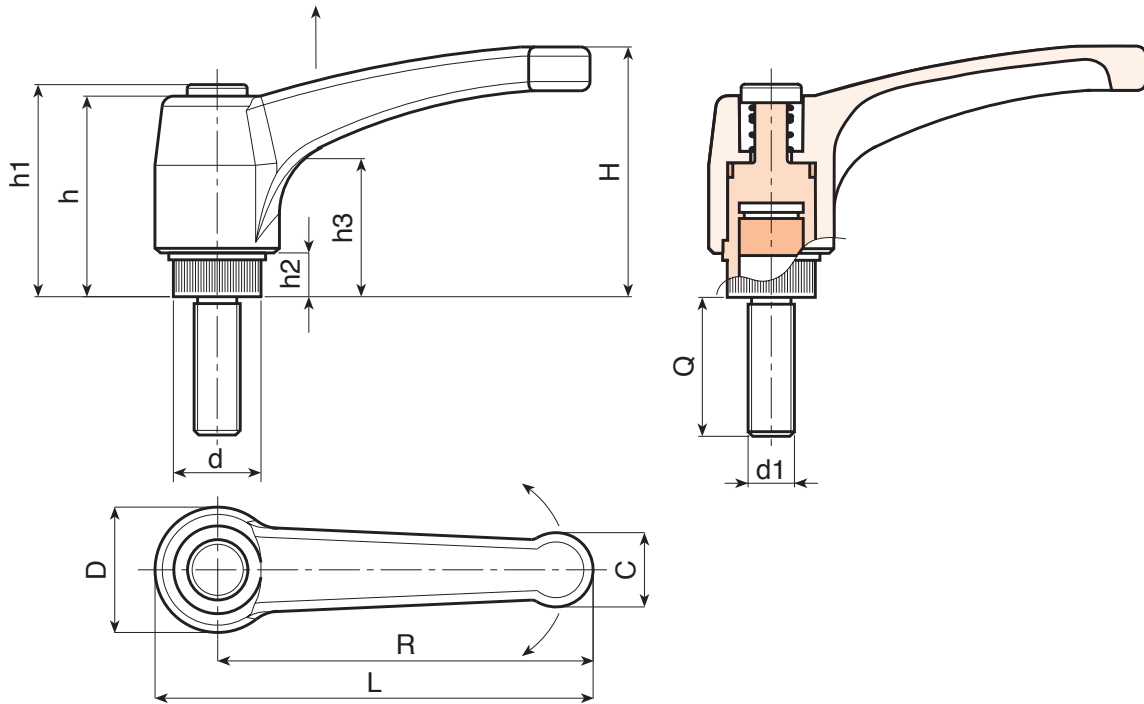


A

Code	Art.	L	R	H	D	d	c	h	h1	h2	h3	LM	d16g	Q	
-	A583052.TM08X2001	63	52	41	22	15	12	36	40	8	23	90	M8	20	25
-	A583052.TM08X2501	63	52	41	22	15	12	36	40	8	23	90	M8	25	27
-	A583052.TM08X3001	63	52	41	22	15	12	36	40	8	23	90	M8	30	28,5
-	A583052.TM08X3501	63	52	41	22	15	12	36	40	8	23	90	M8	35	30
-	A583052.TM08X4001	63	52	41	22	15	12	36	40	8	23	90	M8	40	31,5
-	A583052.TM08X4501	63	52	41	22	15	12	36	40	8	23	90	M8	45	33
-	A583052.TM08X5001	63	52	41	22	15	12	36	40	8	23	90	M8	50	34,5
-	A583052.TM10X2001	63	52	41	22	15	12	36	40	8	23	90	M10	20	31
-	A583052.TM10X2501	63	52	41	22	15	12	36	40	8	23	90	M10	25	33,5
-	A583052.TM10X3001	63	52	41	22	15	12	36	40	8	23	90	M10	30	36
-	A583052.TM10X3501	63	52	41	22	15	12	36	40	8	23	90	M10	35	38,5
-	A583052.TM10X4001	63	52	41	22	15	12	36	40	8	23	90	M10	40	41
-	A583052.TM10X5001	63	52	41	22	15	12	36	40	8	23	90	M10	50	46
-	A583065.TM06X1601	76	65	43	23	15	13	36	40	8	24	90	M6	16	30
-	A583065.TM06X2001	76	65	43	23	15	13	36	40	8	24	90	M6	20	30
-	A583065.TM06X2501	76	65	43	23	15	13	36	40	8	24	90	M6	25	30
-	A583065.TM06X3001	76	65	43	23	15	13	36	40	8	24	90	M6	30	30
-	A583065.TM06X3501	76	65	43	23	15	13	36	40	8	24	90	M6	35	30
-	A583065.TM06X4001	76	65	43	23	15	13	36	40	8	24	90	M6	40	30
-	A583065.TM06X4501	76	65	43	23	15	13	36	40	8	24	90	M6	45	30
-	A583065.TM06X5001	76	65	43	23	15	13	36	40	8	24	90	M6	50	30
-	A583065.TM08X1601	76	65	43	23	15	13	36	40	8	24	90	M8	16	31,5
-	A583065.TM08X2001	76	65	43	23	15	13	36	40	8	24	90	M8	20	33
-	A583065.TM08X2501	76	65	43	23	15	13	36	40	8	24	90	M8	25	34,5
-	A583065.TM08X3001	76	65	43	23	15	13	36	40	8	24	90	M8	30	36
-	A583065.TM08X3501	76	65	43	23	15	13	36	40	8	24	90	M8	35	37,5
-	A583065.TM08X4501	76	65	43	23	15	13	36	40	8	24	90	M8	45	41
-	A583065.TM08X5001	76	65	43	23	15	13	36	40	8	24	90	M8	50	42,5
-	A583065.TM10X2001	76	65	43	23	15	13	36	40	8	24	90	M10	20	37
-	A583065.TM10X2501	76	65	43	23	15	13	36	40	8	24	90	M10	25	39,5
-	A583065.TM10X3001	76	65	43	23	15	13	36	40	8	24	90	M10	30	42
-	A583065.TM10X3501	76	65	43	23	15	13	36	40	8	24	90	M10	35	44,5
-	A583065.TM10X4001	76	65	43	23	15	13	36	40	8	24	90	M10	40	47
-	A583065.TM10X4501	76	65	43	23	15	13	36	40	8	24	90	M10	45	49,5
-	A583065.TM10X5001	76	65	43	23	15	13	36	40	8	24	90	M10	50	52
-	A583080.TM08X2001	93	80	54	27	19	15,5	44	48	8,5	29	90	M8	20	47
-	A583080.TM08X2501	93	80	54	27	19	15,5	44	48	8,5	29	90	M8	25	49
-	A583080.TM08X3001	93	80	54	27	19	15,5	44	48	8,5	29	90	M8	30	50,5
-	A583080.TM08X3501	93	80	54	27	19	15,5	44	48	8,5	29	90	M8	35	52
-	A583080.TM08X4001	93	80	54	27	19	15,5	44	48	8,5	29	90	M8	40	54
-	A583080.TM08X5001	93	80	54	27	19	15,5	44	48	8,5	29	90	M8	50	57
-	A583080.TM10X2001	93	80	54	27	19	15,5	44	48	8,5	29	90	M10	20	54
-	A583080.TM10X2501	93	80	54	27	19	15,5	44	48	8,5	29	90	M10	25	56,5
-	A583080.TM10X3001	93	80	54	27	19	15,5	44	48	8,5	29	90	M10	30	59
-	A583080.TM10X3501	93	80	54	27	19	15,5	44	48	8,5	29	90	M10	35	61,5
-	A583080.TM10X4001	93	80	54	27	19	15,5	44	48	8,5	29	90	M10	40	64
-	A583080.TM10X4501	93	80	54	27	19	15,5	44	48	8,5	29	90	M10	45	66,5
-	A583080.TM10X5001	93	80	54	27	19	15,5	44	48	8,5	29	90	M10	50	69
-	A583080.TM12X2001	93	80	54	27	19	15,5	44	48	8,5	29	90	M12	20	65
-	A583080.TM12X2501	93	80	54	27	19	15,5	44	48	8,5	29	90	M12	25	69
-	A583080.TM12X3001	93	80	54	27	19	15,5	44	48	8,5	29	90	M12	30	72
-	A583080.TM12X3501	93	80	54	27	19	15,5	44	48	8,5	29	90	M12	35	75

A583

"EUROMODEL" INDEXED CLAMPING LEVER WITH BUTTON AND THREADED STUD



Code	Art.	L	R	H	D	d	c	h	h1	h2	h3	LM	d16g	Q	
-	A583080.TM12X4001	93	80	54	27	19	15.5	44	48	8.5	29	90	M12	40	79
-	A583080.TM12X5001	93	80	54	27	19	15.5	44	48	8.5	29	90	M12	50	83
-	A583080.TM12X6001	93	80	54	27	19	15.5	44	48	8.5	29	90	M12	60	86
-	A583080.TM12X7001	93	80	54	27	19	15.5	44	48	8.5	29	90	M12	70	93
-	A583094.TM08X2001	109	94	56	30	19	18	45	49	9	30	90	M8	20	55
-	A583094.TM08X2501	109	94	56	30	19	18	45	49	9	30	90	M8	25	57
-	A583094.TM08X3001	109	94	56	30	19	18	45	49	9	30	90	M8	30	58
-	A583094.TM08X3501	109	94	56	30	19	18	45	49	9	30	90	M8	35	60
-	A583094.TM08X4001	109	94	56	30	19	18	45	49	9	30	90	M8	40	62
-	A583094.TM08X5001	109	94	56	30	19	18	45	49	9	30	90	M8	50	65
-	A583094.TM10X2001	109	94	56	30	19	18	45	49	9	30	90	M10	20	62
-	A583094.TM10X2501	109	94	56	30	19	18	45	49	9	30	90	M10	25	67
-	A583094.TM10X3001	109	94	56	30	19	18	45	49	9	30	90	M10	30	69
-	A583094.TM10X3501	109	94	56	30	19	18	45	49	9	30	90	M10	35	72
-	A583094.TM12X2001	109	94	56	30	19	18	45	49	9	30	90	M12	20	73
-	A583094.TM12X2501	109	94	56	30	19	18	45	49	9	30	90	M12	25	80
-	A583094.TM12X3001	109	94	56	30	19	18	45	49	9	30	90	M12	30	83
-	A583094.TM12X3501	109	94	56	30	19	18	45	49	9	30	90	M12	35	87
-	A583094.TM12X4001	109	94	56	30	19	18	45	49	9	30	90	M12	40	91
-	A583094.TM12X5001	109	94	56	30	19	18	45	49	9	30	90	M12	50	94
-	A583094.TM12X6001	109	94	56	30	19	18	45	49	9	30	90	M12	60	101
-	A583094.TM12X7001	109	94	56	30	19	18	45	49	9	30	90	M12	70	108
-	A583108.TM12X2001	125	108	64	34	24	21	51	55	10	35	100	M12	20	101
-	A583108.TM12X3001	125	108	64	34	24	21	51	55	10	35	100	M12	30	108
-	A583108.TM12X4001	125	108	64	34	24	21	51	55	10	35	100	M12	40	115
-	A583108.TM12X5001	125	108	64	34	24	21	51	55	10	35	100	M12	50	122
-	A583108.TM12X6001	125	108	64	34	24	21	51	55	10	35	100	M12	60	129
-	A583108.TM12X7001	125	108	64	34	24	21	51	55	10	35	100	M12	70	136
-	A583108.TM14X3001	125	108	64	34	24	21	51	55	10	35	100	M14	30	114
-	A583108.TM14X4001	125	108	64	34	24	21	51	55	10	35	100	M14	40	121
-	A583108.TM14X5001	125	108	64	34	24	21	51	55	10	35	100	M14	50	128
-	A583108.TM14X6001	125	108	64	34	24	21	51	55	10	35	100	M14	60	134
-	A583108.TM16X4001	125	108	64	34	24	21	51	55	10	35	100	M16	40	139
-	A583108.TM16X5001	125	108	64	34	24	21	51	55	10	35	100	M16	50	151
-	A583108.TM16X6001	125	108	64	34	24	21	51	55	10	35	100	M16	60	163

Lunghezze perno a richiesta con un minimo di 50 pezzi.
LM = Maximum mouldable length.