

A583CIN



“EUROMODEL” INDEXED CLAMPING LEVER WITH BUTTON AND STAINLESS STEEL THREADED STUD

INOX

Materials:

Special technopolymer reinforced with high-strength glass fiber.
Resistant to oils and greases.

Surface finish:

Satin.

Lever body and insert colour:

Black (RAL 9011).

Inserts:

Stainless steel threaded stud (Aisi 303) (thread tolerance 6g).

Button:

Black polyamide button (RAL 9011).

Spring:

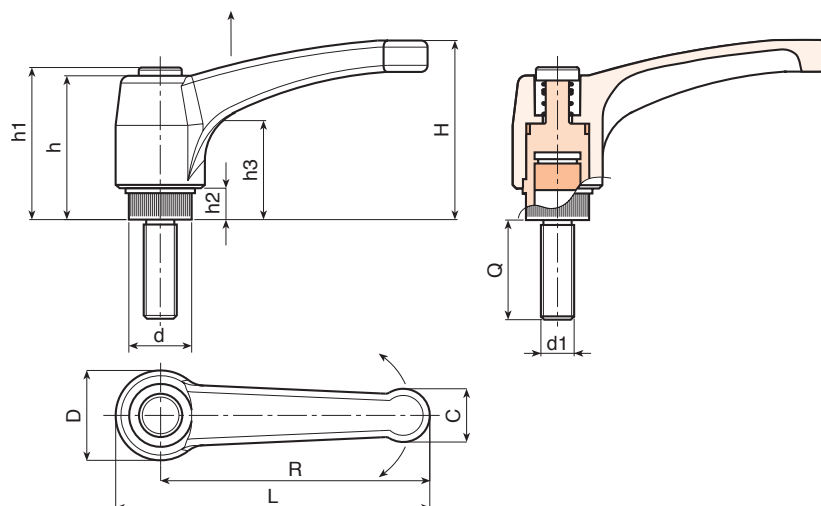
Stainless steel spring (Aisi 302).

Alternative lever body and button colours:

Orange (RAL 2004 code 02).
Blue (RAL 5015 code 07).
Yellow (RAL 1021 code 10).
Red (RAL 3000 code 16).
Green (RAL 6024 code 17).
Grey (RAL 7035 cod. 13).

Special requests:

- Upon request and for special quantities inserts can be supplied with customised lengths.
- Upon request and for special quantities available in the colours indicated in the chart (attention: reduced range) [page].



INOX

Code	Art.	L	R	H	D	d	c	h	h1	h2	h3	LM	d16g	Q	g
-	A583043.TM04X1601CIN	51	43	33	17	11.5	9	29	32	6	18	75	M4	16	12
-	A583043.TM04X2001CIN	51	43	33	17	11.5	9	29	32	6	18	75	M4	20	13
-	A583043.TM04X3001CIN	51	43	33	17	11.5	9	29	32	6	18	75	M4	30	14
-	A583043.TM05X1601CIN	51	43	33	17	11.5	9	29	32	6	18	75	M5	16	12
-	A583043.TM05X2001CIN	51	43	33	17	11.5	9	29	32	6	18	75	M5	20	14
-	A583043.TM05X3001CIN	51	43	33	17	11.5	9	29	32	6	18	75	M5	30	15
-	A583043.TM06X1601CIN	51	43	33	17	11.5	9	29	32	6	18	75	M6	16	17
-	A583043.TM06X2001CIN	51	43	33	17	11.5	9	29	32	6	18	75	M6	20	18
-	A583043.TM06X3001CIN	51	43	33	17	11.5	9	29	32	6	18	75	M6	30	20
-	A583052.TM06X1601CIN	63	52	41	22	15	12	36	40	8	23	90	M6	16	25
-	A583052.TM06X2001CIN	63	52	41	22	15	12	36	40	8	23	90	M6	20	26
-	A583052.TM06X3001CIN	63	52	41	22	15	12	36	40	8	23	90	M6	30	28
-	A583052.TM06X4001CIN	63	52	41	22	15	12	36	40	8	23	90	M6	40	30
-	A583052.TM08X1601CIN	63	52	41	22	15	12	36	40	8	23	90	M8	16	27
-	A583052.TM08X2001CIN	63	52	41	22	15	12	36	40	8	23	90	M8	20	28
-	A583052.TM08X3001CIN	63	52	41	22	15	12	36	40	8	23	90	M8	30	31
-	A583052.TM08X4001CIN	63	52	41	22	15	12	36	40	8	23	90	M8	40	33
-	A583052.TM10X1601CIN	63	52	41	22	15	12	36	40	8	23	90	M10	16	33
-	A583052.TM10X2001CIN	63	52	41	22	15	12	36	40	8	23	90	M10	20	35

A583CIN

“EUROMODEL” INDEXED CLAMPING LEVER WITH BUTTON AND STAINLESS STEEL THREADED STUD



A

Code	Art.	L	R	H	D	d	c	h	h1	h2	h3	LM	d16g	Q	
-	A583052.TM10X3001CIN	63	52	41	22	15	12	36	40	8	23	90	M10	30	40
-	A583052.TM10X4001CIN	63	52	41	22	15	12	36	40	8	23	90	M10	40	45
-	A583065.TM06X1601CIN	76	65	43	23	15	13	36	40	8	24	90	M6	16	28
-	A583065.TM06X2001CIN	76	65	43	23	15	13	36	40	8	24	90	M6	20	29
-	A583065.TM06X3001CIN	76	65	43	23	15	13	36	40	8	24	90	M6	30	31
-	A583065.TM06X4001CIN	76	65	43	23	15	13	36	40	8	24	90	M6	40	32,5
-	A583065.TM08X1601CIN	76	65	43	23	15	13	36	40	8	24	90	M8	16	33
-	A583065.TM08X2001CIN	76	65	43	23	15	13	36	40	8	24	90	M8	20	35
-	A583065.TM08X3001CIN	76	65	43	23	15	13	36	40	8	24	90	M8	30	38
-	A583065.TM08X4001CIN	76	65	43	23	15	13	36	40	8	24	90	M8	40	41
-	A583065.TM10X1601CIN	76	65	43	23	15	13	36	40	8	24	90	M10	16	39
-	A583065.TM10X2001CIN	76	65	43	23	15	13	36	40	8	24	90	M10	20	41
-	A583065.TM10X3001CIN	76	65	43	23	15	13	36	40	8	24	90	M10	30	46
-	A583065.TM10X4001CIN	76	65	43	23	15	13	36	40	8	24	90	M10	40	51
-	A583080.TM08X1601CIN	93	80	54	27	19	15.5	44	48	8.5	29	90	M8	16	46
-	A583080.TM08X2001CIN	93	80	54	27	19	15.5	44	48	8.5	29	90	M8	20	49
-	A583080.TM08X3001CIN	93	80	54	27	19	15.5	44	48	8.5	29	90	M8	30	51
-	A583080.TM08X4001CIN	93	80	54	27	19	15.5	44	48	8.5	29	90	M8	40	54
-	A583080.TM08X5001CIN	93	80	54	27	19	15.5	44	48	8.5	29	90	M8	50	57
-	A583080.TM10X2001CIN	93	80	54	27	19	15.5	44	48	8.5	29	90	M10	20	56
-	A583080.TM10X3001CIN	93	80	54	27	19	15.5	44	48	8.5	29	90	M10	30	61
-	A583080.TM10X4001CIN	93	80	54	27	19	15.5	44	48	8.5	29	90	M10	40	66
-	A583080.TM10X5001CIN	93	80	54	27	19	15.5	44	48	8.5	29	90	M10	50	71
-	A583080.TM12X2001CIN	93	80	54	27	19	15.5	44	48	8.5	29	90	M12	20	68
-	A583080.TM12X3001CIN	93	80	54	27	19	15.5	44	48	8.5	29	90	M12	30	75
-	A583080.TM12X4001CIN	93	80	54	27	19	15.5	44	48	8.5	29	90	M12	40	82
-	A583080.TM12X5001CIN	93	80	54	27	19	15.5	44	48	8.5	29	90	M12	50	89
-	A583094.TM08X2001CIN	109	94	56	30	19	18	45	49	9	30	90	M8	20	52
-	A583094.TM08X3001CIN	109	94	56	30	19	18	45	49	9	30	90	M8	30	55
-	A583094.TM08X4001CIN	109	94	56	30	19	18	45	49	9	30	90	M8	40	58
-	A583094.TM08X5001CIN	109	94	56	30	19	18	45	49	9	30	90	M8	50	61
-	A583094.TM10X2001CIN	109	94	56	30	19	18	45	49	9	30	90	M10	20	63
-	A583094.TM10X3001CIN	109	94	56	30	19	18	45	49	9	30	90	M10	30	68
-	A583094.TM10X4001CIN	109	94	56	30	19	18	45	49	9	30	90	M10	40	73
-	A583094.TM10X5001CIN	109	94	56	30	19	18	45	49	9	30	90	M10	50	78
-	A583094.TM12X2001CIN	109	94	56	30	19	18	45	49	9	30	90	M12	20	75
-	A583094.TM12X3001CIN	109	94	56	30	19	18	45	49	9	30	90	M12	30	82
-	A583094.TM12X4001CIN	109	94	56	30	19	18	45	49	9	30	90	M12	40	89
-	A583094.TM12X5001CIN	109	94	56	30	19	18	45	49	9	30	90	M12	50	96
-	A583108.TM12X2001CIN	125	108	64	34	24	21	51	55	10	35	100	M12	20	103
-	A583108.TM12X3001CIN	125	108	64	34	24	21	51	55	10	35	100	M12	30	110
-	A583108.TM12X4001CIN	125	108	64	34	24	21	51	55	10	35	100	M12	40	117
-	A583108.TM12X5001CIN	125	108	64	34	24	21	51	55	10	35	100	M12	50	124
-	A583108.TM14X2001CIN	125	108	64	34	24	21	51	55	10	35	100	M14	20	109
-	A583108.TM14X3001CIN	125	108	64	34	24	21	51	55	10	35	100	M14	30	116
-	A583108.TM14X4001CIN	125	108	64	34	24	21	51	55	10	35	100	M14	40	123
-	A583108.TM14X5001CIN	125	108	64	34	24	21	51	55	10	35	100	M14	50	136
-	A583108.TM16X2001CIN	125	108	64	34	24	21	51	55	10	35	100	M16	20	127
-	A583108.TM16X3001CIN	125	108	64	34	24	21	51	55	10	35	100	M16	30	139
-	A583108.TM16X4001CIN	125	108	64	34	24	21	51	55	10	35	100	M16	40	151
-	A583108.TM16X5001CIN	125	108	64	34	24	21	51	55	10	35	100	M16	50	163

Customised stud length available for a minimum of 50 pieces.
LM = Maximum mouldable length.