

# A582CIN



## “EUROMODEL” INDEXED CLAMPING LEVER WITH BUTTON AND STAINLESS STEEL THREADED INSERT

INOX

### Materials:

Special technopolymer reinforced with high-strength glass fiber.  
Resistant to oils and greases.

### Surface finish:

Satin.

### Lever body and insert colour:

Black (RAL 9011).

### Inserts:

Stainless steel insert with female threaded hole (Aisi 303) (thread tolerance 6H).

### Button:

Black polyamide button (RAL 9011).

### Spring:

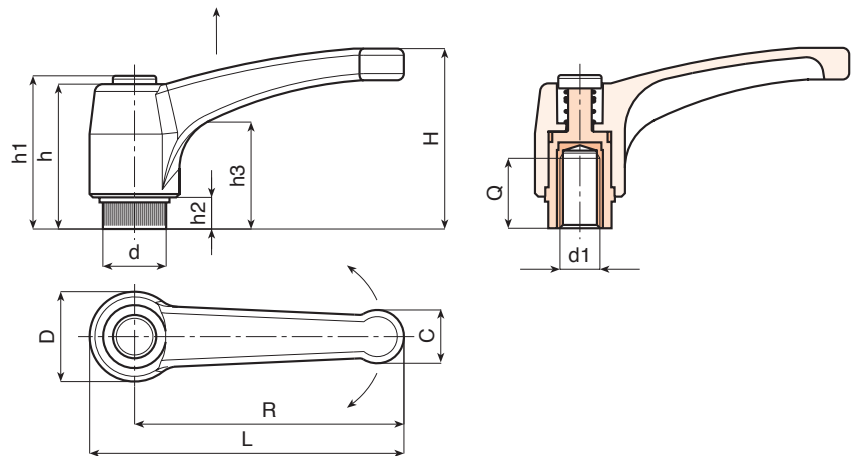
Stainless steel spring (Aisi 302).

### Alternative lever body and button colours:

Orange (RAL 2004 code 02).  
Blue (RAL 5015 code 07).  
Yellow (RAL 1021 code 10).  
Red (RAL 3000 code 16).  
Green (RAL 6024 code 17).  
Grey (RAL 7035 cod. 13).

### Special requests:

- Upon request and for special quantities available in the colours indicated in the chart (attention: reduced range) [page].



INOX

Code	Art.	L	R	H	D	d	c	h	h1	h2	h3	d16H	Q	
-	A582043.TM0401CIN	51	43	33	17	11.5	9	29	32	6	18	M4	8	15
-	A582043.TM0501CIN	51	43	33	17	11.5	9	29	32	6	18	M5	10	15
-	A582043.TM0601CIN	51	43	33	17	11.5	9	29	32	6	18	M6	10	14
-	A582052.TM0601CIN	63	52	41	22	15	12	36	40	8	23	M6	14	31
-	A582052.TM0801CIN	63	52	41	22	15	12	36	40	8	23	M8	14	30
-	A582065.TM0601CIN	76	65	43	23	15	13	36	40	8	24	M6	14	36
-	A582065.TM0801CIN	76	65	43	23	15	13	36	40	8	24	M8	14	35
-	A582080.TM0801CIN	93	80	54	27	19	15.5	44	48	8.5	29	M8	19	55
-	A582080.TM1001CIN	93	80	54	27	19	15.5	44	48	8.5	29	M10	19	54
-	A582080.TM1201CIN	93	80	54	27	19	15.5	44	48	8.5	29	M12	19	54
-	A582094.TM0801CIN	109	94	56	30	19	18	45	49	9	30	M8	19	80
-	A582094.TM1001CIN	109	94	56	30	19	18	45	49	9	30	M10	19	81
-	A582094.TM1201CIN	109	94	56	30	19	18	45	49	9	30	M12	19	83
-	A582108.TM1201CIN	125	108	64	34	24	21	51	55	10	35	M12	22	144
-	A582108.TM1401CIN	125	108	64	34	24	21	51	55	10	35	M14	21	146
-	A582108.TM1601CIN	125	108	64	34	24	21	51	55	10	35	M16	23	149