

# A581



## “EUROMODEL” INDEXED CLAMPING LEVER WITH THREADED STUD

### Materials:

Special technopolymer reinforced with high-strength glass fiber.  
Resistant to oils and greases.

### Surface finish:

Satin.

### Lever body and insert colour:

Black (RAL 9011).

### Inserts:

Galvanised steel threaded stud (thread tolerance 6g).

### Fixing screw:

Black oxide treated steel screw with hexagon socket head.  
(R52-R94) Black oxide treated steel screw with slotted head.

### Spring:

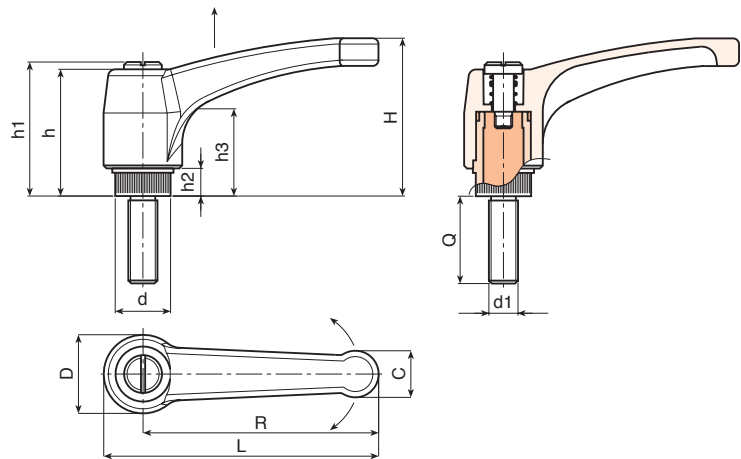
Stainless steel spring (Aisi 302).

### Alternative lever body colours:

Orange (RAL 2004 code 02).  
Blue (RAL 5015 code 07).  
Yellow (RAL 1021 code 10).  
Red (RAL 3000 code 16).  
Green (RAL 6024 code 17).  
Grey (RAL 7035 cod. 13).

### Special requests:

- Upon request and for special quantities inserts can be supplied with customised lengths.
- Upon request and for special quantities inserts can be supplied in different materials.
- Upon request and for special quantities available in the colours indicated in the chart (attention: reduced range) [page ].



Code	Art.	L	R	H	D	d	c	h	h1	h2	h3	LM	d16g	Q	
-	A581043.TM04X1001	51	43	33	17	11.5	9	29	32	6	18	60	M4	10	18
-	A581043.TM04X1601	51	43	33	17	11.5	9	29	32	6	18	60	M4	16	19
-	A581043.TM04X2001	51	43	33	17	11.5	9	29	32	6	18	60	M4	20	19
-	A581043.TM04X2501	51	43	33	17	11.5	9	29	32	6	18	60	M4	25	20
-	A581043.TM04X3001	51	43	33	17	11.5	9	29	32	6	18	60	M4	30	21
-	A581043.TM04X4001	51	43	33	17	11.5	9	29	32	6	18	60	M4	40	21,5
-	A581043.TM05X1001	51	43	33	17	11.5	9	29	32	6	18	60	M5	10	20
-	A581043.TM05X1601	51	43	33	17	11.5	9	29	32	6	18	60	M5	16	20
-	A581043.TM05X2001	51	43	33	17	11.5	9	29	32	6	18	60	M5	20	21
-	A581043.TM05X2501	51	43	33	17	11.5	9	29	32	6	18	60	M5	25	22
-	A581043.TM05X3001	51	43	33	17	11.5	9	29	32	6	18	60	M5	30	22
-	A581043.TM05X4001	51	43	33	17	11.5	9	29	32	6	18	60	M5	40	23
-	A581043.TM06X1001	51	43	33	17	11.5	9	29	32	6	18	60	M6	10	19
-	A581043.TM06X1601	51	43	33	17	11.5	9	29	32	6	18	60	M6	16	21
-	A581043.TM06X2001	51	43	33	17	11.5	9	29	32	6	18	60	M6	20	22
-	A581043.TM06X2501	51	43	33	17	11.5	9	29	32	6	18	60	M6	25	23
-	A581043.TM06X3001	51	43	33	17	11.5	9	29	32	6	18	60	M6	30	24
-	A581043.TM06X4001	51	43	33	17	11.5	9	29	32	6	18	60	M6	40	25
-	A581043.TM06X5001	51	43	33	17	11.5	9	29	32	6	18	60	M6	50	26
-	A581052.TM06X1601	63	52	41	22	15	12	36	40	8	23	60	M6	16	38
-	A581052.TM06X2001	63	52	41	22	15	12	36	40	8	23	60	M6	20	38
-	A581052.TM06X2501	63	52	41	22	15	12	36	40	8	23	60	M6	25	39
-	A581052.TM06X3001	63	52	41	22	15	12	36	40	8	23	60	M6	30	40
-	A581052.TM06X3501	63	52	41	22	15	12	36	40	8	23	60	M6	35	41

# A581



## “EUROMODEL” INDEXED CLAMPING LEVER WITH THREADED STUD

Code	Art.	L	R	H	D	d	c	h	h1	h2	h3	LM	d16g	Q	
-	A581052.TM06X4001	63	52	41	22	15	12	36	40	8	23	60	M6	40	42
-	A581052.TM06X5001	63	52	41	22	15	12	36	40	8	23	60	M6	50	43
-	A581052.TM08X1601	63	52	41	22	15	12	36	40	8	23	60	M8	16	38
-	A581052.TM08X2001	63	52	41	22	15	12	36	40	8	23	60	M8	20	40
-	A581052.TM08X2501	63	52	41	22	15	12	36	40	8	23	60	M8	25	42
-	A581052.TM08X3001	63	52	41	22	15	12	36	40	8	23	60	M8	30	43
-	A581052.TM08X3501	63	52	41	22	15	12	36	40	8	23	60	M8	35	45
-	A581052.TM08X4001	63	52	41	22	15	12	36	40	8	23	60	M8	40	46
-	A581052.TM08X4501	63	52	41	22	15	12	36	40	8	23	60	M8	45	47
-	A581052.TM08X5001	63	52	41	22	15	12	36	40	8	23	60	M8	50	49
-	A581065.TM08X1601	76	65	43	23	15	13	36	40	8	24	60	M8	16	42
-	A581065.TM08X2001	76	65	43	23	15	13	36	40	8	24	60	M8	20	44
-	A581065.TM08X2501	76	65	43	23	15	13	36	40	8	24	60	M8	25	46
-	A581065.TM08X3001	76	65	43	23	15	13	36	40	8	24	60	M8	30	47
-	A581065.TM08X3501	76	65	43	23	15	13	36	40	8	24	60	M8	35	49
-	A581065.TM08X4001	76	65	43	23	15	13	36	40	8	24	60	M8	40	50
-	A581065.TM08X4501	76	65	43	23	15	13	36	40	8	24	60	M8	45	52
-	A581065.TM08X5001	76	65	43	23	15	13	36	40	8	24	60	M8	50	54
-	A581080.TM08X2001	93	80	54	27	19	15.5	44	48	8.5	29	90	M8	20	66
-	A581080.TM08X2501	93	80	54	27	19	15.5	44	48	8.5	29	90	M8	25	67
-	A581080.TM08X3001	93	80	54	27	19	15.5	44	48	8.5	29	90	M8	30	69
-	A581080.TM08X3501	93	80	54	27	19	15.5	44	48	8.5	29	90	M8	35	70,5
-	A581080.TM08X4001	93	80	54	27	19	15.5	44	48	8.5	29	90	M8	40	72
-	A581080.TM08X4501	93	80	54	27	19	15.5	44	48	8.5	29	90	M8	45	74
-	A581080.TM08X5001	93	80	54	27	19	15.5	44	48	8.5	29	90	M8	50	76
-	A581080.TM10X2001	93	80	54	27	19	15.5	44	48	8.5	29	90	M10	20	87
-	A581080.TM10X2501	93	80	54	27	19	15.5	44	48	8.5	29	90	M10	25	87
-	A581080.TM10X3001	93	80	54	27	19	15.5	44	48	8.5	29	90	M10	30	87
-	A581080.TM10X3501	93	80	54	27	19	15.5	44	48	8.5	29	90	M10	35	87
-	A581080.TM10X4001	93	80	54	27	19	15.5	44	48	8.5	29	90	M10	40	87
-	A581080.TM10X4501	93	80	54	27	19	15.5	44	48	8.5	29	90	M10	45	87
-	A581080.TM10X5001	93	80	54	27	19	15.5	44	48	8.5	29	90	M10	50	87
-	A581080.TM12X2001	93	80	54	27	19	15.5	44	48	8.5	29	90	M12	20	89
-	A581080.TM12X2501	93	80	54	27	19	15.5	44	48	8.5	29	90	M12	25	92
-	A581080.TM12X3001	93	80	54	27	19	15.5	44	48	8.5	29	90	M12	30	95
-	A581080.TM12X3501	93	80	54	27	19	15.5	44	48	8.5	29	90	M12	35	99
-	A581080.TM12X4001	93	80	54	27	19	15.5	44	48	8.5	29	90	M12	40	101
-	A581080.TM12X5001	93	80	54	27	19	15.5	44	48	8.5	29	90	M12	50	108
-	A581094.TM08X2001	109	94	56	30	19	18	45	49	9	30	90	M8	20	73
-	A581094.TM08X2501	109	94	56	30	19	18	45	49	9	30	90	M8	25	74
-	A581094.TM08X3001	109	94	56	30	19	18	45	49	9	30	90	M8	30	76
-	A581094.TM08X3501	109	94	56	30	19	18	45	49	9	30	90	M8	35	78
-	A581094.TM08X4001	109	94	56	30	19	18	45	49	9	30	90	M8	40	79
-	A581094.TM08X5001	109	94	56	30	19	18	45	49	9	30	90	M8	50	81
-	A581094.TM10X2001	109	94	56	30	19	18	45	49	9	30	90	M10	20	79
-	A581094.TM10X2501	109	94	56	30	19	18	45	49	9	30	90	M10	25	80
-	A581094.TM10X3001	109	94	56	30	19	18	45	49	9	30	90	M10	30	81
-	A581094.TM10X3501	109	94	56	30	19	18	45	49	9	30	90	M10	35	84
-	A581094.TM10X4001	109	94	56	30	19	18	45	49	9	30	90	M10	40	86
-	A581094.TM10X5001	109	94	56	30	19	18	45	49	9	30	90	M10	50	88
-	A581094.TM12X2001	109	94	56	30	19	18	45	49	9	30	90	M12	20	96
-	A581094.TM12X2501	109	94	56	30	19	18	45	49	9	30	90	M12	25	97
-	A581094.TM12X3001	109	94	56	30	19	18	45	49	9	30	90	M12	30	99
-	A581094.TM12X3501	109	94	56	30	19	18	45	49	9	30	90	M12	35	102
-	A581094.TM12X4001	109	94	56	30	19	18	45	49	9	30	90	M12	40	106
-	A581094.TM12X5001	109	94	56	30	19	18	45	49	9	30	90	M12	50	108
-	A581094.TM12X6001	109	94	56	30	19	18	45	49	9	30	90	M12	60	115
-	A581094.TM12X7001	109	94	56	30	19	18	45	49	9	30	90	M12	70	123
-	A581108.TM12X2001	125	108	64	34	24	21	51	55	10	35	90	M12	20	137
-	A581108.TM12X3001	125	108	64	34	24	21	51	55	10	35	90	M12	30	144
-	A581108.TM12X4001	125	108	64	34	24	21	51	55	10	35	90	M12	40	151
-	A581108.TM12X5001	125	108	64	34	24	21	51	55	10	35	90	M12	50	158
-	A581108.TM12X6001	125	108	64	34	24	21	51	55	10	35	90	M12	60	165
-	A581108.TM12X7001	125	108	64	34	24	21	51	55	10	35	90	M12	70	172
-	A581108.TM14X3001	125	108	64	34	24	21	51	55	10	35	90	M14	30	150
-	A581108.TM14X4001	125	108	64	34	24	21	51	55	10	35	90	M14	40	157
-	A581108.TM14X5001	125	108	64	34	24	21	51	55	10	35	90	M14	50	164
-	A581108.TM14X6001	125	108	64	34	24	21	51	55	10	35	90	M14	60	171
-	A581108.TM16X4001	125	108	64	34	24	21	51	55	10	35	90	M16	40	175
-	A581108.TM16X5001	125	108	64	34	24	21	51	55	10	35	90	M16	50	187
-	A581108.TM16X6001	125	108	64	34	24	21	51	55	10	35	90	M16	60	199

Customised stud length available for a minimum of 100 pieces.  
LM = Maximum mouldable length.