

A563



INDEXED CLAMPING LEVER WITH BUTTON AND THREADED STUD

Materials:

Special technopolymer reinforced with high-strength glass fiber.
Resistant to oils and greases.

Surface finish:

Satin.

Lever body and insert colour:

Black (RAL 9011).

Inserts:

Galvanised steel threaded stud (thread tolerance 6g).

Button:

Black polyamide button (RAL 9011).

Spring:

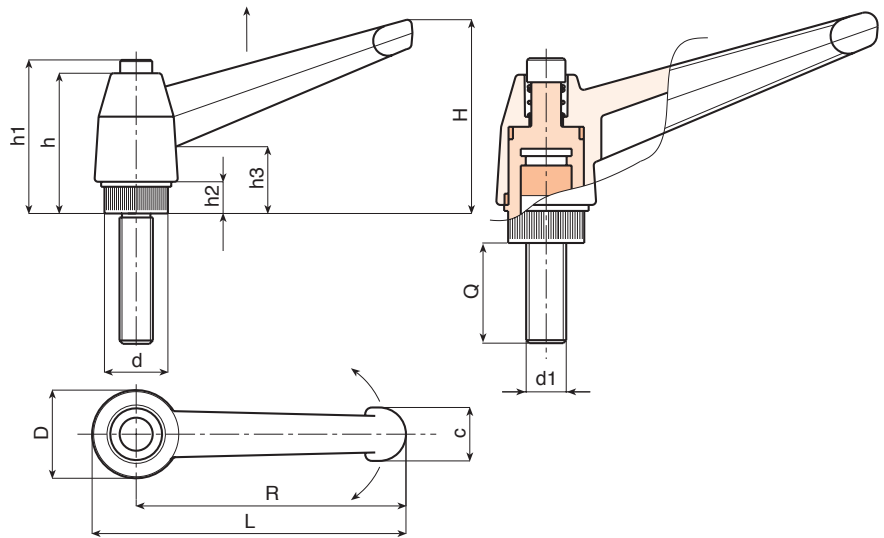
Stainless steel spring (Aisi 302).

Alternative lever body and button colours:

Orange (RAL 2004 code 02).
Blue (RAL 5015 code 07).
Yellow (RAL 1021 code 10).
Red (RAL 3000 code 16).
Green (RAL 6024 code 17).
Grey (RAL 7035 cod. 13).

Special requests:

- Upon request and for special quantities inserts can be supplied with customised lengths.
- Upon request and for special quantities inserts can be supplied in different materials.
- Upon request and for special quantities available in the colours indicated in the chart (attention: reduced range) [page].



Code	Art.	L	R	H	D	d	c	h	h1	h2	h3	LM	d1 _{6g}	Q	
-	A563043.TM04X1001	52	43	33	17	11.5	11	27	30	6	14	75	M4	10	8
-	A563043.TM04X1601	52	43	33	17	11.5	11	27	30	6	14	75	M4	16	8
-	A563043.TM04X2001	52	43	33	17	11.5	11	27	30	6	14	75	M4	20	9
-	A563043.TM04X2501	52	43	33	17	11.5	11	27	30	6	14	75	M4	25	9
-	A563043.TM04X3001	52	43	33	17	11.5	11	27	30	6	14	75	M4	30	10
-	A563043.TM04X4001	52	43	33	17	11.5	11	27	30	6	14	75	M4	40	11
-	A563043.TM05X1001	52	43	33	17	11.5	11	27	30	6	14	75	M5	10	11
-	A563043.TM05X1601	52	43	33	17	11.5	11	27	30	6	14	75	M5	16	12
-	A563043.TM05X2001	52	43	33	17	11.5	11	27	30	6	14	75	M5	20	13
-	A563043.TM05X2501	52	43	33	17	11.5	11	27	30	6	14	75	M5	25	13
-	A563043.TM05X3001	52	43	33	17	11.5	11	27	30	6	14	75	M5	30	14
-	A563043.TM05X4001	52	43	33	17	11.5	11	27	30	6	14	75	M5	40	14
-	A563043.TM06X1001	52	43	33	17	11.5	11	27	30	6	14	75	M6	10	11
-	A563043.TM06X1601	52	43	33	17	11.5	11	27	30	6	14	75	M6	16	12
-	A563043.TM06X2001	52	43	33	17	11.5	11	27	30	6	14	75	M6	20	14
-	A563043.TM06X2501	52	43	33	17	11.5	11	27	30	6	14	75	M6	25	15
-	A563043.TM06X3001	52	43	33	17	11.5	11	27	30	6	14	75	M6	30	16
-	A563043.TM06X3501	52	43	33	17	11.5	11	27	30	6	14	75	M6	35	17
-	A563043.TM06X4001	52	43	33	17	11.5	11	27	30	6	14	75	M6	40	18

A563

INDEXED CLAMPING LEVER WITH BUTTON AND THREADED STUD



A

Code	Art.	L	R	H	D	d	c	h	h1	h2	h3	LM	d16g	Q	
-	A563043.TM06X5001	52	43	33	17	11.5	11	27	30	6	14	75	M6	50	20
-	A563065.TM06X1601	77	65	45	23	15	13	34	38	8	17	90	M6	16	22
-	A563065.TM06X2001	77	65	45	23	15	13	34	38	8	17	90	M6	20	23
-	A563065.TM06X2501	77	65	45	23	15	13	34	38	8	17	90	M6	25	24
-	A563065.TM06X3001	77	65	45	23	15	13	34	38	8	17	90	M6	30	25
-	A563065.TM06X3501	77	65	45	23	15	13	34	38	8	17	90	M6	35	26
-	A563065.TM06X4001	77	65	45	23	15	13	34	38	8	17	90	M6	40	27
-	A563065.TM06X4501	77	65	45	23	15	13	34	38	8	17	90	M6	45	28
-	A563065.TM06X5001	77	65	45	23	15	13	34	38	8	17	90	M6	50	29
-	A563065.TM08X1601	77	65	45	23	15	13	34	38	8	17	90	M8	16	25
-	A563065.TM08X2001	77	65	45	23	15	13	34	38	8	17	90	M8	20	26
-	A563065.TM08X2501	77	65	45	23	15	13	34	38	8	17	90	M8	25	27
-	A563065.TM08X3001	77	65	45	23	15	13	34	38	8	17	90	M8	30	29
-	A563065.TM08X3501	77	65	45	23	15	13	34	38	8	17	90	M8	35	30
-	A563065.TM08X4001	77	65	45	23	15	13	34	38	8	17	90	M8	40	32
-	A563065.TM08X4501	77	65	45	23	15	13	34	38	8	17	90	M8	45	33
-	A563065.TM08X5001	77	65	45	23	15	13	34	38	8	17	90	M8	50	35
-	A563065.TM10X2001	77	65	45	23	15	13	34	38	8	17	90	M10	20	31
-	A563065.TM10X2501	77	65	45	23	15	13	34	38	8	17	90	M10	25	33
-	A563065.TM10X3001	77	65	45	23	15	13	34	38	8	17	90	M10	30	36
-	A563065.TM10X3501	77	65	45	23	15	13	34	38	8	17	90	M10	35	39
-	A563065.TM10X4001	77	65	45	23	15	13	34	38	8	17	90	M10	40	41
-	A563065.TM10X5001	77	65	45	23	15	13	34	38	8	17	90	M10	50	46
-	A563083.TM08X2001	97	83	57	27	19	16	43	47	10	23	90	M8	20	42
-	A563083.TM08X2501	97	83	57	27	19	16	43	47	10	23	90	M8	25	44
-	A563083.TM08X3001	97	83	57	27	19	16	43	47	10	23	90	M8	30	45
-	A563083.TM08X3501	97	83	57	27	19	16	43	47	10	23	90	M8	35	47
-	A563083.TM08X4001	97	83	57	27	19	16	43	47	10	23	90	M8	40	48
-	A563083.TM08X5001	97	83	57	27	19	16	43	47	10	23	90	M8	50	51
-	A563083.TM08X6001	97	83	57	27	19	16	43	47	10	23	90	M8	60	54
-	A563083.TM08X7001	97	83	57	27	19	16	43	47	10	23	90	M8	70	57
-	A563083.TM10X2001	97	83	57	27	19	16	43	47	10	23	90	M10	20	50
-	A563083.TM10X2501	97	83	57	27	19	16	43	47	10	23	90	M10	25	53
-	A563083.TM10X3001	97	83	57	27	19	16	43	47	10	23	90	M10	30	55
-	A563083.TM10X3501	97	83	57	27	19	16	43	47	10	23	90	M10	35	57
-	A563083.TM10X4001	97	83	57	27	19	16	43	47	10	23	90	M10	40	60
-	A563083.TM10X4501	97	83	57	27	19	16	43	47	10	23	90	M10	45	63
-	A563083.TM10X5001	97	83	57	27	19	16	43	47	10	23	90	M10	50	65
-	A563083.TM10X6001	97	83	57	27	19	16	43	47	10	23	90	M10	60	70
-	A563083.TM10X7001	97	83	57	27	19	16	43	47	10	23	90	M10	70	75
-	A563083.TM12X2001	97	83	57	27	19	16	43	47	10	23	90	M12	20	62
-	A563083.TM12X2501	97	83	57	27	19	16	43	47	10	23	90	M12	25	65
-	A563083.TM12X3001	97	83	57	27	19	16	43	47	10	23	90	M12	30	69
-	A563083.TM12X3501	97	83	57	27	19	16	43	47	10	23	90	M12	35	72
-	A563083.TM12X4001	97	83	57	27	19	16	43	47	10	23	90	M12	40	76
-	A563083.TM12X5001	97	83	57	27	19	16	43	47	10	23	90	M12	50	83
-	A563083.TM12X6001	97	83	57	27	19	16	43	47	10	23	90	M12	60	90
-	A563083.TM12X7001	97	83	57	27	19	16	43	47	10	23	90	M12	70	97
-	A563104.TM12X2001	121	104	70	33	24	19	50	53	11	26	100	M12	20	84
-	A563104.TM12X2501	121	104	70	33	24	19	50	53	11	26	100	M12	25	87
-	A563104.TM12X3001	121	104	70	33	24	19	50	53	11	26	100	M12	30	91
-	A563104.TM12X3501	121	104	70	33	24	19	50	53	11	26	100	M12	35	96
-	A563104.TM12X4001	121	104	70	33	24	19	50	53	11	26	100	M12	40	98
-	A563104.TM12X5001	121	104	70	33	24	19	50	53	11	26	100	M12	50	105
-	A563104.TM12X6001	121	104	70	33	24	19	50	53	11	26	100	M12	60	112
-	A563104.TM12X7001	121	104	70	33	24	19	50	53	11	26	100	M12	70	119
-	A563104.TM14X2001	121	104	70	33	24	19	50	53	11	26	100	M14	20	90
-	A563104.TM14X2501	121	104	70	33	24	19	50	53	11	26	100	M14	25	95
-	A563104.TM14X3001	121	104	70	33	24	19	50	53	11	26	100	M14	30	100
-	A563104.TM14X3501	121	104	70	33	24	19	50	53	11	26	100	M14	35	105
-	A563104.TM14X4001	121	104	70	33	24	19	50	53	11	26	100	M14	40	110
-	A563104.TM14X5001	121	104	70	33	24	19	50	53	11	26	100	M14	50	120
-	A563104.TM14X6001	121	104	70	33	24	19	50	53	11	26	100	M14	60	130
-	A563104.TM14X7001	121	104	70	33	24	19	50	53	11	26	100	M14	70	140
-	A563104.TM16X2001	121	104	70	33	24	19	50	53	11	26	100	M16	20	108
-	A563104.TM16X3001	121	104	70	33	24	19	50	53	11	26	100	M16	30	120
-	A563104.TM16X4001	121	104	70	33	24	19	50	53	11	26	100	M16	40	132