

# A522

## INDEXED CLAMPING LEVER WITH THREADED INSERT



### Materials:

Special technopolymer reinforced with high-strength glass fiber.  
Resistant to oils and greases.

### Surface finish:

Satin.

### Lever body and insert colour:

Black (RAL 9011).

### Inserts:

Galvanised steel insert with female threaded hole (thread tolerance 6H).

### Fixing screw:

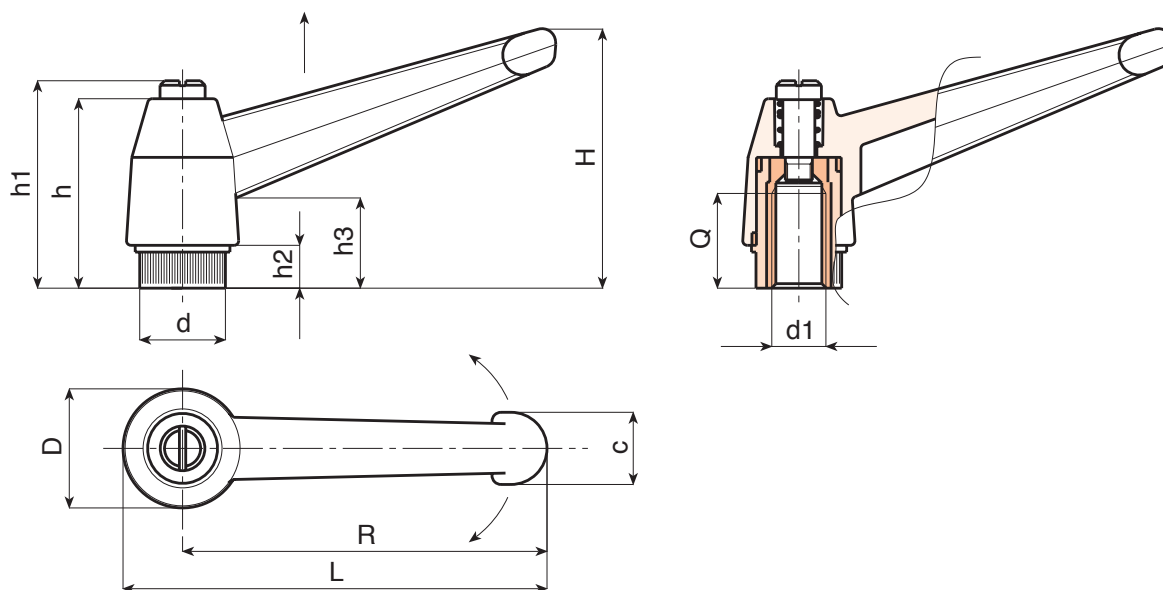
Black oxide treated steel screw with slotted head.

### Spring:

Stainless steel spring (Aisi 302).

### Special requests:

- Upon request and for special quantities inserts can be supplied in different materials.
- Upon request and for special quantities available in the colours indicated in the chart (attention: reduced range) [page ].



Code	Art.	L	R	H	D	d	c	h	h1	h2	h3	d16H	Q	
-	A522043.TM0401	52	43	33	17	11.5	11	27	30	6	14	M4	10	14
-	A522043.TM0501	52	43	33	17	11.5	11	27	30	6	14	M5	9	14
-	A522043.TM0601	52	43	33	17	11.5	11	27	30	6	14	M6	9	14
-	A522065.TM0601	77	65	45	23	15	13	34	38	8	17	M6	15	28
-	A522065.TM0801	77	65	45	23	15	13	34	38	8	17	M8	15	26
-	A522065.TM1001	77	65	45	23	15	13	34	38	8	17	M10	13	28
-	A522083.TM0801	97	83	57	27	19	16	43	47	10	23	M8	17	52
-	A522083.TM1001	97	83	57	27	19	16	43	47	10	23	M10	17	48
-	A522083.TM1201	97	83	57	27	19	16	43	47	10	23	M12	16	48
-	A522104.TM1001	121	104	70	33	24	19	50	53	11	26	M10	20	114
-	A522104.TM1201	121	104	70	33	24	19	50	53	11	26	M12	22	106
-	A522104.TM1401	121	104	70	33	24	19	50	53	11	26	M14	21	100
-	A522104.TM1601	121	104	70	33	24	19	50	53	11	26	M16	23	100