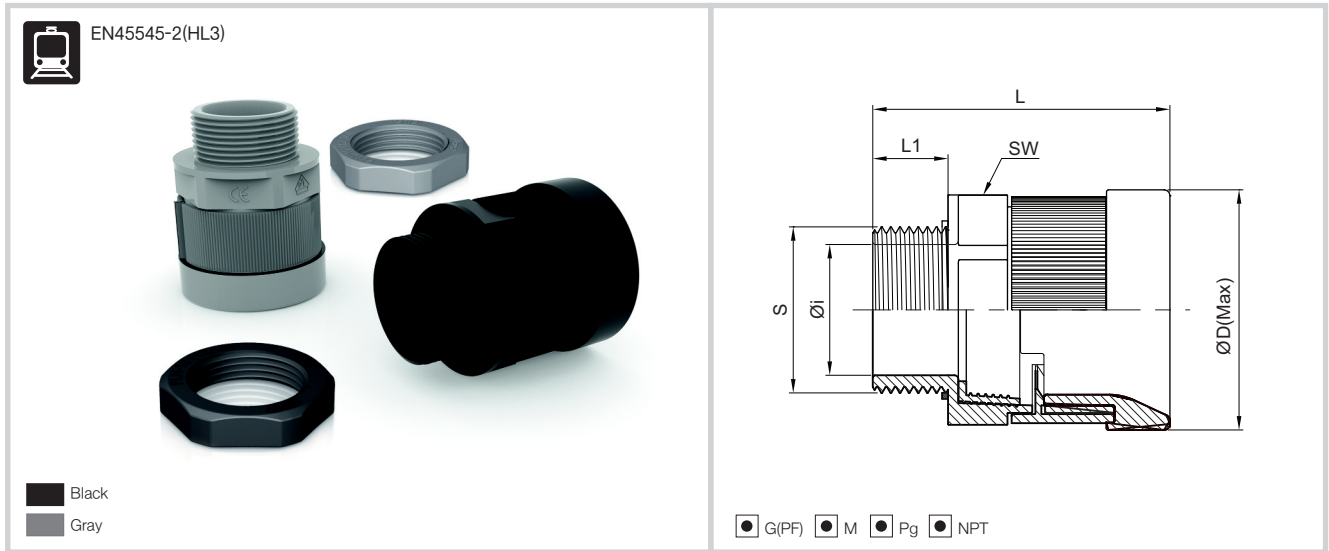
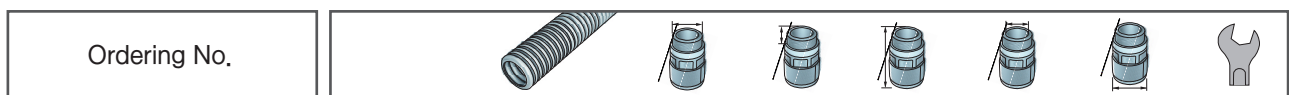


PNC IP68



- Material : High Quality Polyamide 6
- Degrees of Protection : IP 68 (EN 60529)
- The max. Instantaneous Temperature : -40°C to +105°C
- Short Term : up to +150° C
- Self-Extinguishing : UL94-HB / Free of Halogen Phosphorous and cadmium
- Color : Black & Gray
- Application : Machine tool, Shipbuilding, Tramway, Industrial / Automatic Machinery, Printing Machine etc. Joint box with connector
- Certification :

» Product size



PF Thread (JIS B0202)

| Black | Gray | Thread | Tube Size | S | L1 | L | Øi | ØD | SW |
|----------|----------|---------|-----------|------|------|------|------|------|------|
| PNC-G07B | PNC-G07G | G1/4" | 07 | 13.1 | 11.0 | 34.0 | 8.5 | 25.0 | 14.0 |
| PNC-G10B | PNC-G10G | G1/2" | 10 | 20.9 | 13.0 | 44.2 | 12.0 | 25.0 | 19.7 |
| PNC-G12B | PNC-G12G | G1/2" | 12 | 20.9 | 13.0 | 43.1 | 15.0 | 27.6 | 22.8 |
| PNC-G16B | PNC-G16G | G1/2" | 16 | 20.9 | 13.0 | 45.0 | 15.2 | 33.0 | 28.0 |
| PNC-G22B | PNC-G22G | G3/4" | 22 | 26.4 | 15.0 | 54.7 | 22.0 | 43.0 | 37.5 |
| PNC-G28B | PNC-G28G | G1" | 28 | 33.2 | 15.0 | 62.4 | 27.0 | 48.8 | 43.0 |
| PNC-G36B | PNC-G36G | G1 1/4" | 36 | 41.9 | 19.0 | 76.6 | 34.0 | 60.6 | 52.2 |
| PNC-G42B | PNC-G42G | G1 1/2" | 48 | 47.8 | 21.0 | 81.4 | 40.8 | 71.8 | 64.0 |
| PNC-G48B | PNC-G48G | G2" | 48 | 59.6 | 21.0 | 81.4 | 50.0 | 71.8 | 64.0 |

※ Available in Light Gray production.

(Dimensions in mm)

Ordering No.



Metric Thread (EN 60423)

(Dimensions in mm)

| Black | Gray | Thread | Tube Size | S | L1 | L | Øi | ØD | SW |
|------------|------------|-----------|-----------|------|------|------|------|------|------|
| PNC-M107B | PNC-M107G | M12 X 1.5 | 07 | 12.0 | 11.0 | 34.0 | 8.5 | 25.0 | 14.0 |
| PNC-M127B | PNC-M127G | M16 X 1.5 | 07 | 16.0 | 11.0 | 34.0 | 8.5 | 25.0 | 14.0 |
| PNC-M167B | PNC-M167G | M20 X 1.5 | 07 | 20.0 | 11.0 | 34.0 | 8.5 | 25.0 | 14.0 |
| PNC-M10B | PNC-M10G | M12 X 1.5 | 10 | 12.0 | 13.0 | 43.5 | 7.5 | 25.0 | 19.7 |
| PNC-M120B | PNC-M120G | M16 X 1.5 | 10 | 16.0 | 13.0 | 43.5 | 10.0 | 25.0 | 19.7 |
| PNC-M20B | PNC-M20G | M20 X 1.5 | 10 | 20.0 | 13.0 | 43.5 | 12.0 | 25.0 | 19.7 |
| PNC-M102B | PNC-M102G | M12 X 1.5 | 12 | 12.0 | 13.0 | 43.1 | 8.0 | 27.6 | 22.8 |
| PNC-M12B | PNC-M12G | M16 X 1.5 | 12 | 16.0 | 13.0 | 43.1 | 12.0 | 27.6 | 22.8 |
| PNC-M202B | PNC-M202G | M20 X 1.5 | 12 | 20.0 | 13.0 | 43.1 | 15.0 | 27.6 | 22.8 |
| PNC-M126B | PNC-M126G | M16 X 1.5 | 16 | 16.0 | 13.0 | 45.0 | 12.0 | 33.0 | 28.0 |
| PNC-M16B | PNC-M16G | M20 X 1.5 | 16 | 20.0 | 13.0 | 45.0 | 15.2 | 33.0 | 28.0 |
| PNC-M226B | PNC-M226G | M25 X 1.5 | 16 | 25.0 | 13.0 | 45.0 | 17.5 | 33.0 | 28.0 |
| PNC-M22B | PNC-M22G | M25 X 1.5 | 22 | 25.0 | 15.0 | 54.7 | 20.6 | 43.0 | 37.5 |
| PNC-M3222B | PNC-M3222G | M32 X 1.5 | 22 | 32.0 | 15.0 | 54.7 | 22.0 | 43.0 | 37.5 |
| PNC-M28B | PNC-M28G | M32 X 1.5 | 28 | 32.0 | 15.0 | 62.4 | 27.0 | 48.8 | 43.0 |
| PNC-M4028B | PNC-M4028G | M40 X 1.5 | 28 | 40.0 | 15.0 | 62.4 | 30.5 | 48.8 | 43.0 |
| PNC-M36B | PNC-M36G | M40 X 1.5 | 36 | 40.0 | 19.0 | 76.6 | 34.0 | 60.6 | 52.2 |
| PNC-M5036B | PNC-M5036G | M50 X 1.5 | 36 | 50.0 | 19.0 | 76.6 | 36.0 | 60.6 | 52.2 |
| PNC-M48B | PNC-M48G | M50 X 1.5 | 48 | 50.0 | 21.0 | 81.4 | 42.0 | 71.8 | 64.0 |
| PNC-M6348B | PNC-M6348G | M63 X 1.5 | 48 | 63.0 | 21.0 | 81.4 | 50.0 | 71.8 | 64.0 |

Pg Thread (DIN 40430)

| Black | Gray | Thread | Tube Size | S | L1 | L | Øi | ØD | SW |
|------------|------------|---------|-----------|------|------|------|------|------|------|
| PNC-P077B | PNC-P077G | Pg 07 | 07 | 12.5 | 11.0 | 34.0 | 8.5 | 16.8 | 14.0 |
| PNC-P097B | PNC-P097G | Pg 09 | 07 | 15.2 | 11.0 | 34.0 | 8.5 | 25.0 | 14.0 |
| PNC-P117B | PNC-P117G | Pg 11 | 07 | 18.6 | 11.0 | 34.0 | 8.5 | 25.0 | 14.0 |
| PNC-P137B | PNC-P137G | Pg 13.5 | 07 | 20.4 | 11.0 | 34.0 | 8.5 | 25.0 | 14.0 |
| PNC-P070B | PNC-P070G | Pg 07 | 10 | 12.5 | 13.0 | 43.5 | 8.0 | 25.0 | 19.7 |
| PNC-P09B | PNC-P09G | Pg 09 | 10 | 15.2 | 13.0 | 43.5 | 10.0 | 25.0 | 19.7 |
| PNC-P110B | PNC-P110G | Pg 11 | 10 | 18.6 | 13.0 | 43.5 | 12.0 | 25.0 | 19.7 |
| PNC-P130B | PNC-P130G | Pg 13.5 | 10 | 20.4 | 13.0 | 43.5 | 12.0 | 25.0 | 19.7 |
| PNC-P160B | PNC-P160G | Pg 16 | 10 | 22.5 | 13.0 | 43.5 | 12.0 | 25.0 | 19.7 |
| PNC-P0912B | PNC-P0912G | Pg 09 | 12 | 15.2 | 13.0 | 43.1 | 12.0 | 27.6 | 22.8 |
| PNC-P11B | PNC-P11G | Pg 11 | 12 | 18.6 | 13.0 | 43.1 | 12.0 | 27.6 | 22.8 |
| PNC-P132B | PNC-P132G | Pg 13.5 | 12 | 20.4 | 13.0 | 43.1 | 15.0 | 27.6 | 22.8 |
| PNC-P162B | PNC-P162G | Pg 16 | 12 | 22.5 | 13.0 | 43.1 | 15.0 | 27.6 | 22.8 |
| PNC-P136B | PNC-P136G | Pg 13.5 | 16 | 20.4 | 13.0 | 45.0 | 15.2 | 33.0 | 28.0 |
| PNC-P16B | PNC-P16G | Pg 16 | 16 | 22.5 | 13.0 | 45.0 | 15.2 | 33.0 | 28.0 |
| PNC-P216B | PNC-P216G | Pg 21 | 16 | 28.3 | 13.0 | 45.0 | 17.5 | 33.0 | 28.0 |
| PNC-P163B | PNC-P163G | Pg 16 | 22 | 22.5 | 13.0 | 54.7 | 18.0 | 43.0 | 37.5 |
| PNC-P21B | PNC-P21G | Pg 21 | 22 | 28.3 | 15.0 | 54.7 | 22.0 | 43.0 | 37.5 |
| PNC-P29B | PNC-P29G | Pg 29 | 28 | 37.0 | 15.0 | 62.4 | 30.5 | 48.8 | 43.0 |
| PNC-P36B | PNC-P36G | Pg 36 | 36 | 47.0 | 19.0 | 76.6 | 36.0 | 60.6 | 52.2 |
| PNC-P48B | PNC-P48G | Pg 48 | 48 | 59.3 | 21.0 | 81.4 | 50.0 | 71.8 | 64.0 |

NPT Thread (ANSI/ASME B1.20.1)

| Black | Gray | Thread | Tube Size | S | L1 | L | Øi | ØD | SW |
|----------|----------|----------|-----------|------|------|------|------|------|------|
| PNC-N10B | PNC-N10G | NPT 1/2" | 10 | 21.2 | 13.0 | 43.5 | 12.0 | 25.0 | 19.7 |
| PNC-N12B | PNC-N12G | NPT 1/2" | 12 | 21.2 | 13.0 | 43.1 | 15.0 | 27.6 | 22.8 |
| PNC-N16B | PNC-N16G | NPT 1/2" | 16 | 21.2 | 13.0 | 45.0 | 15.2 | 33.0 | 28.0 |
| PNC-N22B | PNC-N22G | NPT 3/4" | 22 | 26.5 | 15.0 | 54.7 | 22.0 | 43.0 | 37.5 |
| PNC-N28B | PNC-N28G | NPT 1" | 28 | 33.2 | 15.0 | 62.4 | 27.0 | 48.8 | 43.0 |