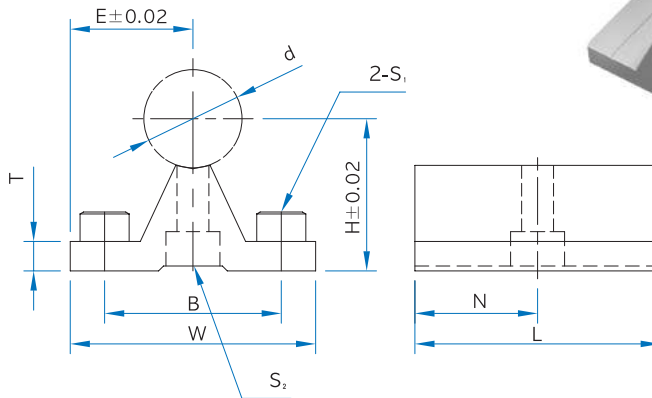


S-STU type

Shaft Support Rail II

Application Ball Bushing Block - SHO, CSO



Unit : mm

Part No.	Shaft d	Dimensions					Mounting Dimensions			
		H	E	W	L	T	B	N	S ₁	S ₂
S-STU16×50	∅16	27	21	42	50	6	31	25	M5	M5
S-STU20×50	∅20	31	25	50	50	6	36	25	M6	M6
S-STU25×50	∅25	36	26.5	53	50	7	39	25	M6	M6
S-STU30×60	∅30	43	33.5	67	60	8	49	30	M8	M8
S-STU40×70	∅40	55	37	74	70	11	56	35	M8	M8