

I119



MUSHROOM KNOB WITH THREADED STUD

Materials:

Reinforced polyamide.
Resistant to oils and greases.

Surface finish:

Satin.

Colour:

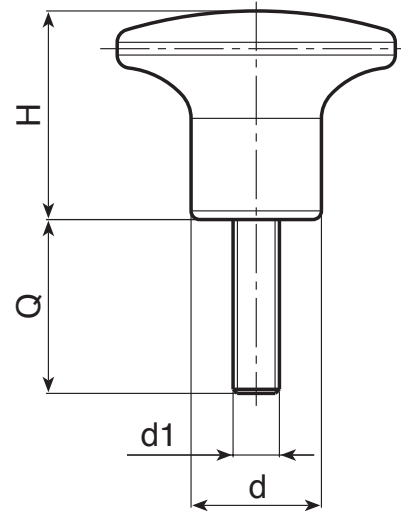
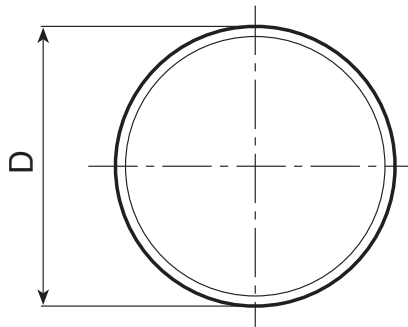
Black (RAL 9011).

Inserts:

Galvanised steel threaded stud (thread tolerance 6g).

Special requests:

- Upon request and for special quantities inserts can be supplied with customised lengths.
- Upon request and for special quantities inserts can be supplied in different materials.
- Upon request and for special quantities available in the colours indicated in the chart [page].



	Code	art.	D	H	d	LM	d1 _{6g}	Q	g
●	I11922.0002	I11922. TM04X2001	22	17	11	65	M4	20	6
●	I11922.0008	I11922. TM05X3001	22	17	11	56	M5	30	9
●	I11922.0018	I11922. TM06X3001	22	17	11	65	M6	30	12
●	I11926.0004	I11926. TM06X3001	26	20.5	13	70	M6	30	14
●	I11926.0008	I11926. TM08X3001	26	20.5	13	70	M8	30	30
●	I11932.0011	I11932. TM06X3001	32	24	15	70	M6	30	18
●	I11932.0019	I11932. TM08X4001	32	24	15	70	M8	40	28
●	I11945.0006	I11945. TM10X3001	45	32	21	100	M10	30	48
●	I11945.0008	I11945. TM12X4001	45	32	21	100	M12	40	72

LM = maximum mouldable length.

Threaded stud length on request, with a minimum quantity of 250 pieces.