

I108



CONICAL KNOB WITH PLASTIC THREADED HOLE

Materials:

Reinforced polyamide.
Resistant to oils and greases.

Surface finish:

Satin.

Colour:

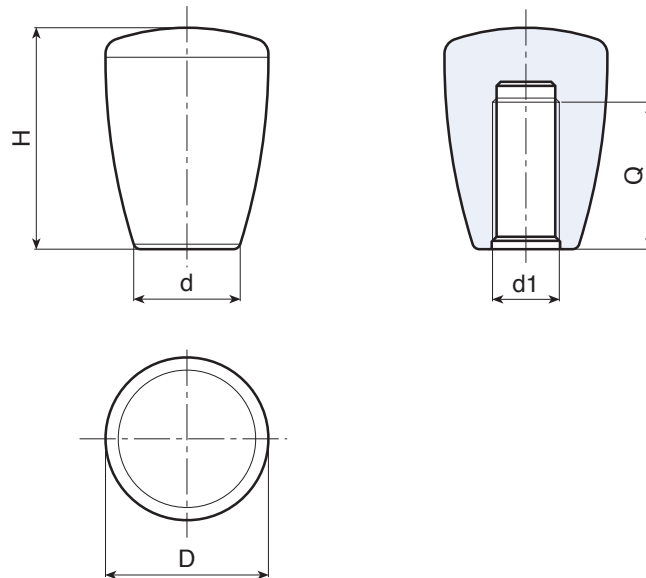
Black (RAL 9011).

Hole:

Female threaded hole obtained by moulding the plastic (thread tolerance not applicable).

Special requests:

- Upon request and for special quantities available in the colours indicated in the chart (ATTENTION: reduced range for measures marked (*)) [page].



Code	art.	D	H	d	d1	Q	g
I10821.0001	I10821.TM0401	21	28	13	M4	16	13
I10821.0002	I10821.TM0501	21	28	13	M5	16	12
I10821.0004	I10821.TM0601	21	28	13	M6	16	11
I10825.0001	I10825.TM0501	25	34	17	M5	24	16
I10825.0003	I10825.TM0601	25	34	17	M6	24	16
I10825.0007	I10825.TM0801	25	34	17	M8	24	14
I10825.0011	I10825.TM1001	25	34	17	M10	24	14
I10832.0003	I10832.TM0801	32	43	21	M8	30	32
I10832.0007	I10832.TM1001	32	43	21	M10	30	32
I10832.0015	I10832.TM1201	32	43	21	M12	30	32
I10843.0002	I10843.TM1001	43	58	27	(*)M10	36	80
I10843.0004	I10843.TM1201	43	58	27	(*)M12	36	78
I10843.0005	I10843.TM1401	43	58	27	(*)M14	36	76
I10843.0006	I10843.TM1601	43	58	27	(*)M16	36	74