

H766CIN

+135°
-30°

PA6
+G.F.

UL94
HB

RoHS
COMPLIANT

KNURLED HOLLOW HANDWHEEL WITH STAINLESS STEEL THREADED STUD

INOX

Materials:

Reinforced polyamide.
Resistant to oils and greases.

Surface finish:

Satin.

Colour:

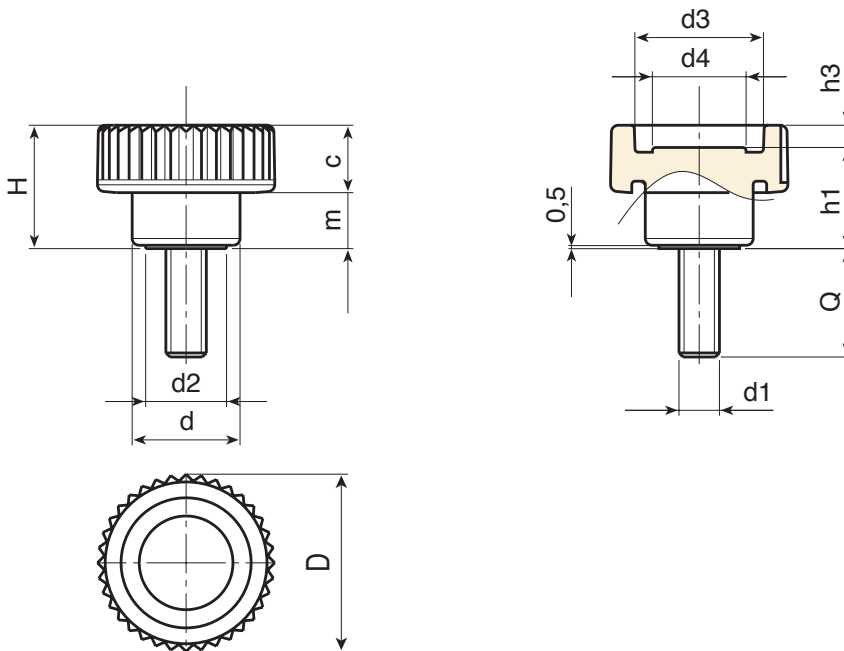
Black (RAL 9011).

Inserts:

Stainless steel threaded stud (Aisi 303) (thread tolerance 6g).

Special Requests:

- Upon request and for special quantities inserts can be supplied with customised lengths.
- Upon request and for special quantities available in the colours indicated in the chart [page].



INOX

Code	art.	D	H	d	m	c	d2	d3	d4	h1	h3	LM	d1.6g	Q	g
-	H18015.BM0501	15	10.5	10	4.5	6	8	10	7.5	8.5	2	40	M5	15	-
-	H18015.BM0501	21	15	13	6.5	8.5	9.5	15	10.5	12.5	2.5	40	M5	16	9.5
-	H18015.BM0501	21	15	13	6.5	8.5	9.5	15	10.5	12.5	2.5	40	M6	15	-
-	H18015.BM0501	26	18	16	8.5	9.5	12	19	13	15	3	80	M6	20	-
-	H18015.BM0501	26	18	16	8.5	9.5	12	19	13	15	3	80	M8	20	16.5
-	H18015.BM0501	32	23	20	10.5	12.5	15	23	16	18	5	80	M8	40	36
-	H18015.BM0501	40	28	25	12.5	15.5	18	28	21	22	6	100	M10	20	-
-	H18015.BM0501	40	28	25	12.5	15.5	18	28	21	22	6	100	M12	30	-

LM = maximum mouldable length.

Threaded stud length on request, with a minimum quantity of 250 pieces.