

H760

KNURLED HANDWHEEL WITH THREADED STUD



Materials:

Reinforced polyamide.
Resistant to oils and greases.

Surface finish:

Satin.

Colour:

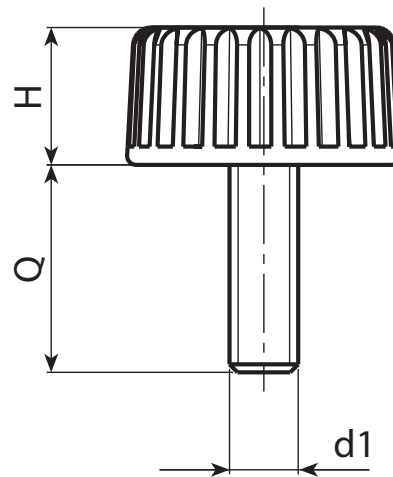
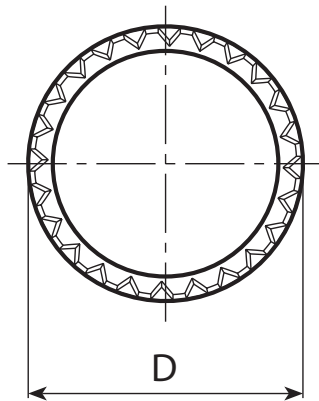
Black (RAL 9011).

Inserts:

Galvanised steel threaded stud (thread tolerance 6g).

Special Requests:

- Upon request and for special quantities inserts can be supplied with customised lengths.
- Upon request and for special quantities inserts can be supplied in different materials.
- Upon request and for special quantities available in the colours indicated in the chart [page].



Code	art.	D	H	LM	d1 _{6g}	Q	g
-	H76015.TM04X1301	15	8	77	M4	13	2
-	H76015.TM04X1501	15	8	77	M4	15	2
-	H76015.TM04X1901	15	8	77	M4	19	2,5
-	H76015.TM04X2401	15	8	77	M4	24	3
-	H76015.TM05X1501	15	8	77	M5	15	4
-	H76015.TM05X1901	15	8	77	M5	19	4,5
-	H76015.TM05X2401	15	8	77	M5	24	5
-	H76015.TM05X2901	15	8	77	M5	29	5,5
-	H76015.TM06X1501	15	8	77	M6	15	5,5
-	H76015.TM06X1901	15	8	77	M6	19	6,5
-	H76015.TM06X2401	15	8	77	M6	24	7
-	H76015.TM06X2901	15	8	77	M6	29	7,5

LM = maximum mouldable length.

Threaded stud length on request, with a minimum quantity of 250 pieces.