

G734



4-LOBE HANDWHEEL WITH ELONGATED HUB AND THREADED INSERT

Materials:

Reinforced polyamide. Resistant to oils and greases.

Surface finish:

Satin.

Colour:

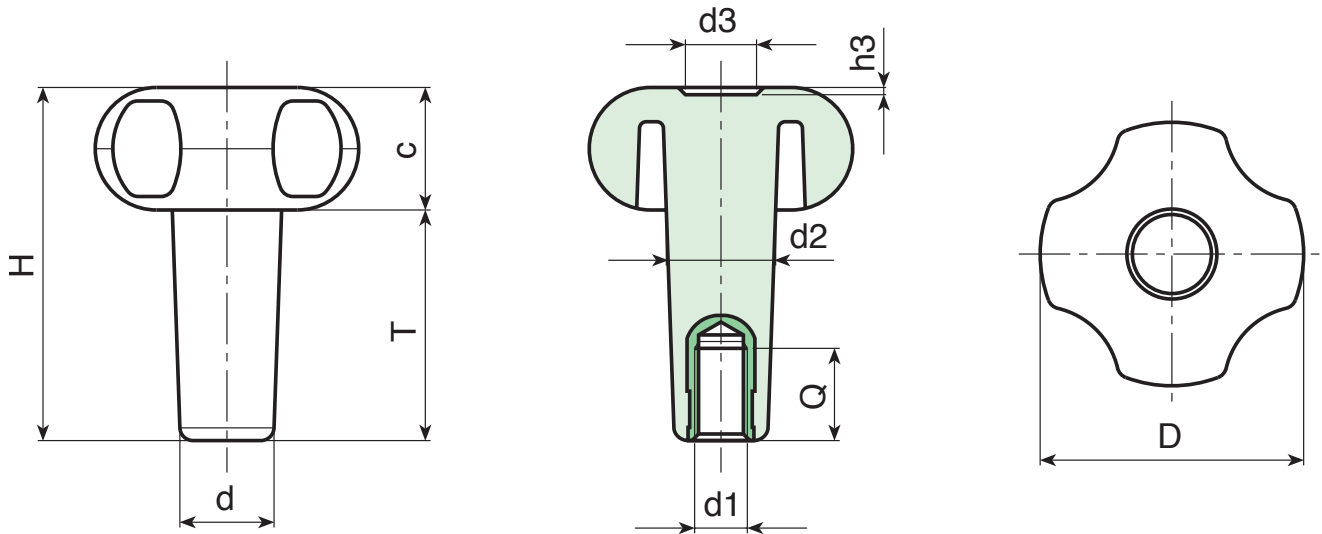
Black (RAL 9011).

Inserts:

Brass insert with female threaded hole (thread tolerance 6H).

Special requests:

- Upon request and for special quantities inserts can be supplied in different materials.
- Upon request and for special quantities handwheels can be supplied with custom hubs.



Code	art.	D	H	T	d	c	d2	d3	h3	d1 _{6H}	Q	
-	G73430.T25M0601	30	37.5	23.5	13.5	14	14.5	12	2	M6	10	15
-	G73430.T35M0601	30	47	33.5	13.5	14	15	12	2	M6	16	16
-	G73430.T35M0801	30	47	33.5	13.5	14	15	12	2	M8	21	17
-	G73440.T35M1001	41	54	35	16.5	19	17	12	3	M10	15	30
-	G73440.T66M0601	41	85	66	16.5	19	18	12	3	M6	18	35
-	G73450.T40M0801	52	61	39	17.5	22	19	14	2.5	M8	15	47
-	G73450.T40M1001	52	61	39	17.5	22	19	14	2.5	M10	15	49
-	G73450.T50M0801	52	71	49	18	22	20.5	14	2.5	M8	15	55
-	G73450.T50M1001	52	71	49	18	22	20.5	14	2.5	M10	15	56
-	G73450.T60M1001	52	80	58	18	22	21	14	2.5	M10	15	62
-	G73460.T60M0801	59	83	58	23	25	24	24	4	M8	21	91
-	G73460.T60M1001	59	83	58	23	25	24	24	4	M10	15	91
-	G73460.T60M1201	59	83	58	23	25	24	24	4	M12	21	96
-	G73460.T80M0801	59	103	78	23	25	24	24	4	M8	21	105
-	G73460.T80M1001	59	103	78	23	25	24	24	4	M10	15	104
-	G73460.T80M1201	59	103	78	23	25	24	24	4	M12	21	107