

G730

4-LOBE HANDWHEEL WITH THREADED INSERT



Materials:

Reinforced polyamide. Resistant to oils and greases.

Surface finish:

Satin.

Colour:

Black (RAL 9011).

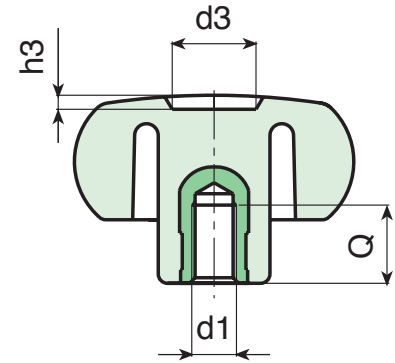
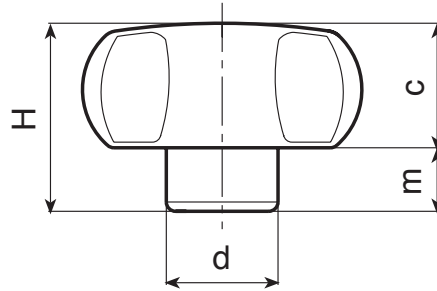
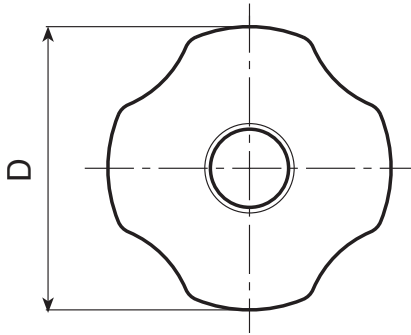
Inserts:

Brass insert with female threaded hole (thread tolerance 6H).

(*) Galvanised steel insert with female threaded hole (thread tolerance 6H).

Special requests:

- Upon request and for special quantities inserts can be supplied in different materials.
- Upon request and for special quantities available in the colours indicated in the chart [page].



Code	art.	D	H	d	c	m	d3	h3	d1 _{6H}	Q	g
-	G73020.TM0401	21	14	11	8.5	5.5	8	1.5	M4	6	5
-	G73020.TM0501	21	14	11	8.5	5.5	8	1.5	M5	6	5
-	G73020.TM0601	21	14	11	8.5	5.5	8	1.5	M6	6	5
-	G73025.TM0401	26	16	12	10	6	10	1.5	M8	7	6
-	G73025.TM0501	26	16	12	10	6	10	1.5	M5	7	6
-	G73025.TM0601	26	16	12	10	6	10	1.5	M6	7	7
-	G73025.TM0801	26	16	12	10	6	10	1.5	M8	7	8
-	G73030.TM0501	30	23	15	13.5	9.5	12	2	M5	13	12
-	G73030.TM0601	30	23	15	13.5	9.5	12	2	M6	10	12
-	G73030.TM0801	30	23	15	13.5	9.5	12	2	M8	16	14
-	G73030.TM1001	30	23	15	13.5	9.5	12	2	M10	16	14
-	G73040.TM0501	40.5	29.5	17	18.5	11	12	3	M5	13	21
-	G73040.TM0601	40.5	29.5	17	18.5	11	12	3	M6	10	21
-	G73040.TM0801	40.5	29.5	17	18.5	11	12	3	M8	14	22
-	G73040.TM1001	40.5	29.5	17	18.5	11	12	3	M10	13	26
-	G73040.TM1201	40.5	29.5	17	18.5	11	12	3	M12	11	30
-	G73050.TM0601	49	32	20.5	21.5	11	14.5	2.5	M6	10	35
-	G73050.TM0801	49	32	20.5	21.5	11	14.5	2.5	M8	14	42
-	G73050.TM1001	49	32	20.5	21.5	11	14.5	2.5	M10	13	43
-	G73050.TM1201	49	32	20.5	21.5	11	14.5	2.5	M12	17	48
-	G73060.TM0801	59	40	23	25	15	24	4	M8	15	60
-	G73060.TM1001	59	40	23	25	15	24	4	M10	14	62
-	G73060.TM1201	59	40	23	25	15	24	4	M12	18	67
-	G73060.TM1401	59	40	23	25	15	24	4	M14	19	70
-	G73060.TM1601	59	40	23	25	15	24	4	(*)M16	17	82
-	G73080.TM1001	79	41	30	24	17	21	3	M10	14	88
-	G73080.TM1201	79	41	30	24	17	21	3	M12	16	88
-	G73080.TM1401	79	41	30	24	17	21	3	M14	19	97
-	G73080.TM1601	79	41	30	24	17	21	3	(*)M16	17	109
-	G73080.TM2001	79	41	30	24	17	21	3	(*)M20	16	115