

F661



3-LOBE SOLID HANDWHEEL WITH FEMALE THREADED INSERT

Materials:

Reinforced polyamide.
Resistant to oils and greases.

Surface finish:

Satin.

Colour:

Black (RAL 9011).

Inserts:

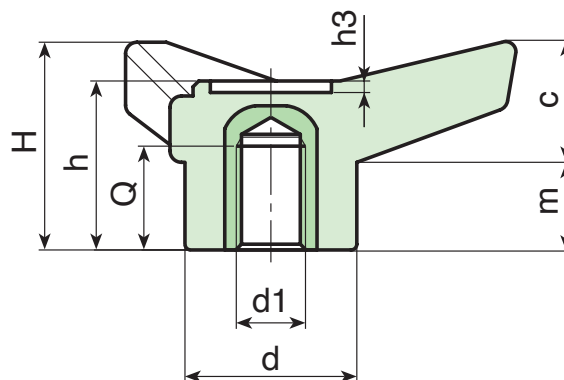
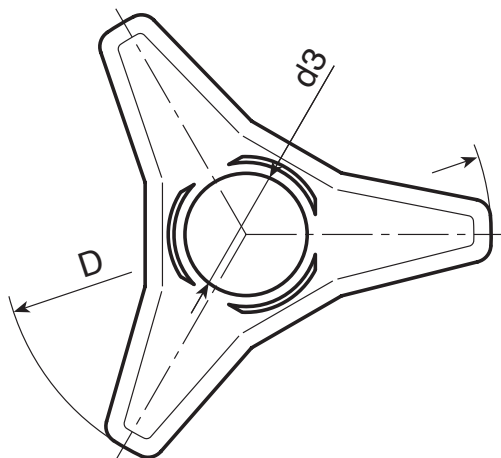
Brass insert with female threaded hole (thread tolerance 6H).
(* Galvanised steel insert with female threaded hole (thread tolerance 6H).

Hub:

Solid Hub

Special requests:

- Upon request and for special quantities inserts can be supplied in different materials.
- Upon request and for special quantities available in the colours indicated in the chart (attention: reduced range) [page].



Code	art.	D	H	h	d	c	m	d3	h3	d1 _{6H}	Q	g
-	F661045.TM0601	45	21	18	16	11	10	11	1	M6	9	10
-	F661045.TM0801	45	21	18	16	11	10	11	1	M8	11	14
-	F661045.TM1001	45	21	18	16	11	10	11	1	M10	10	15
-	F661065.TM0801	65	28	23.5	22	16.5	11.5	15.5	1.5	M8	11	28
-	F661065.TM1001	65	28	23.5	22	16.5	11.5	15.5	1.5	M10	11	29
-	F661065.TM1201	65	28	23.5	22	16.5	11.5	15.5	1.5	M12	13	31
-	F661085.TM0801	85	37	30.5	30	21	16	21	2	M8	15	53
-	F661085.TM1001	85	37	30.5	30	21	16	21	2	M10	14	55
-	F661085.TM1201	85	37	30.5	30	21	16	21	2	M12	19	60
-	F661105.TM0801	105	46	37.5	35	26	19	25	2	M8	15	89
-	F661105.TM1001	105	46	37.5	35	26	19	25	2	M10	17	90
-	F661105.TM1201	105	46	37.5	35	26	19	25	2	M12	17	97
-	F661105.TM1401	105	46	37.5	35	26	19	25	2	M14	19	98
-	F661125.TM1201	125	54	44	42.5	31	23	28.5	2	M12	18	160
-	F661125.TM1401	125	54	44	42.5	31	23	28.5	2	M14	18	165
-	F661125.TM1601	125	54	44	42.5	31	23	28.5	2	(*)M16	21	177
-	F661125.TM1801	125	54	44	42.5	31	23	28.5	2	(*)M18	21	182