

F177



6-LOBE SOLID HANDWHEEL WITH THREADED THROUGH-HOLE INSERT

Materials:

Reinforced polyamide.
Resistant to oils and greases.

Surface finish:

Satin.

Colour:

Black (RAL 9011).

Inserts:

Version F177:

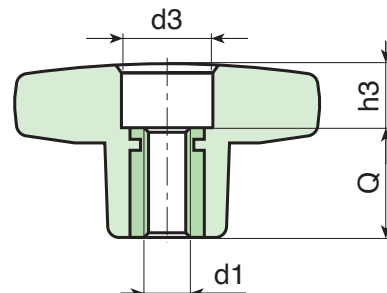
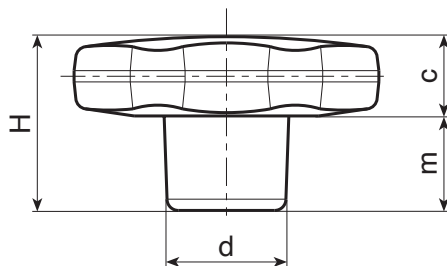
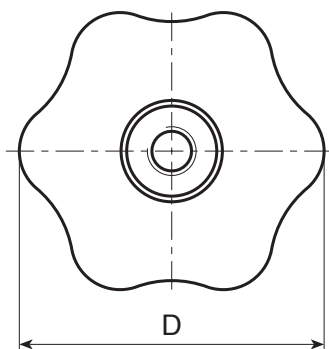
Brass insert with threaded through hole (thread tolerance 6H).

Version F177PIN:

Stainless steel insert with threaded through hole (Aisi 303) (thread tolerance 6H).

Special Requests:

- Upon request and for special quantities inserts can be supplied in different materials.
- Upon request and for special quantities available in the colours indicated in the chart (attention: reduced range) [page].



Version F177: with brass insert.

| Code | Art. | D | H | d | c | m | d3 | h3 | d1 _{6H} | Q | g |
|------|---------------|----|------|----|----|------|----|----|------------------|----|----|
| - | F17730.TM0501 | 30 | 22 | 15 | 11 | 11 | 11 | 4 | M5 | 18 | 12 |
| - | F17730.TM0601 | 30 | 22 | 15 | 11 | 11 | 11 | 4 | M6 | 18 | 13 |
| - | F17730.TM0801 | 30 | 22 | 15 | 11 | 11 | 11 | 4 | M8 | 18 | 13 |
| - | F17730.TM1001 | 30 | 22 | 15 | 11 | 11 | 11 | 4 | M10 | 18 | 14 |
| - | F17740.TM0601 | 40 | 24.5 | 17 | 12 | 12.5 | 12 | 6 | M6 | 18 | 20 |
| - | F17740.TM0801 | 40 | 24.5 | 17 | 12 | 12.5 | 12 | 6 | M8 | 18 | 21 |
| - | F17740.TM1001 | 40 | 24.5 | 17 | 12 | 12.5 | 12 | 6 | M10 | 18 | 22 |
| - | F17750.TM0601 | 50 | 29 | 20 | 14 | 15 | 14 | 11 | M6 | 18 | 33 |
| - | F17750.TM0801 | 50 | 29 | 20 | 14 | 15 | 14 | 11 | M8 | 18 | 34 |
| - | F17750.TM1001 | 50 | 29 | 20 | 14 | 15 | 14 | 11 | M10 | 18 | 35 |
| - | F17750.TM1201 | 50 | 29 | 20 | 14 | 15 | 14 | 11 | M12 | 18 | 35 |
| - | F17760.TM0801 | 60 | 34 | 24 | 16 | 18 | 15 | 16 | M8 | 18 | 54 |
| - | F17760.TM1001 | 60 | 34 | 24 | 16 | 18 | 15 | 16 | M10 | 18 | 55 |
| - | F17760.TM1201 | 60 | 34 | 24 | 16 | 18 | 15 | 16 | M12 | 18 | 55 |
| - | F17760.TM1401 | 60 | 34 | 24 | 16 | 18 | 15 | 16 | M14 | 18 | 56 |

Version F177PIN: with stainless steel insert (Aisi 303).

| Code | Art. | D | H | d | c | m | d3 | h3 | d1 _{6H} | Q | g |
|------|------------------|----|------|----|----|------|----|----|------------------|----|----|
| - | F17730.TM0501PIN | 30 | 22 | 15 | 11 | 11 | 11 | 4 | M5 | 18 | 12 |
| - | F17730.TM0601PIN | 30 | 22 | 15 | 11 | 11 | 11 | 4 | M6 | 18 | 13 |
| - | F17730.TM0801PIN | 30 | 22 | 15 | 11 | 11 | 11 | 4 | M8 | 18 | 13 |
| - | F17740.TM0601PIN | 40 | 24.5 | 17 | 12 | 12.5 | 12 | 6 | M6 | 18 | 20 |
| - | F17740.TM0801PIN | 40 | 24.5 | 17 | 12 | 12.5 | 12 | 6 | M8 | 18 | 21 |
| - | F17740.TM1001PIN | 40 | 24.5 | 17 | 12 | 12.5 | 12 | 6 | M10 | 18 | 22 |
| - | F17750.TM0801PIN | 50 | 29 | 20 | 14 | 15 | 14 | 11 | M8 | 18 | 34 |
| - | F17750.TM1001PIN | 50 | 29 | 20 | 14 | 15 | 14 | 11 | M10 | 18 | 35 |
| - | F17750.TM1201PIN | 50 | 29 | 20 | 14 | 15 | 14 | 11 | M12 | 18 | 35 |
| - | F17760.TM0801PIN | 60 | 34 | 24 | 16 | 18 | 15 | 16 | M8 | 18 | 54 |
| - | F17760.TM1001PIN | 60 | 34 | 24 | 16 | 18 | 15 | 16 | M10 | 18 | 55 |
| - | F17760.TM1201PIN | 60 | 34 | 24 | 16 | 18 | 15 | 16 | M12 | 18 | 55 |

INOX