

E218



PA6
+G.F.

UL94
HB



CRANK HANDLE WITH THREADED INSERT AND FOLDING HANDLE

Material:

Reinforced polyamide.
Resistant to oils and greases.

Surface finish:

Satin.

Colour:

Black (RAL 9011).

Central cap:

Grey polyamide (RAL 7035). 13).

Alternative Cap colours:

Orange (RAL 2004 code 02).
Red (RAL 3000 code 16).
Blue (RAL 5015 code 07).
Green (RAL 6024 code 17).
Yellow (RAL 1021 code 10).
Black (RAL 9011 code 01).

Inserts:

Brass insert with female threaded hole (thread tolerance 6H).
(* Galvanised steel insert with female threaded hole (thread tolerance 6H).

Lateral insert:

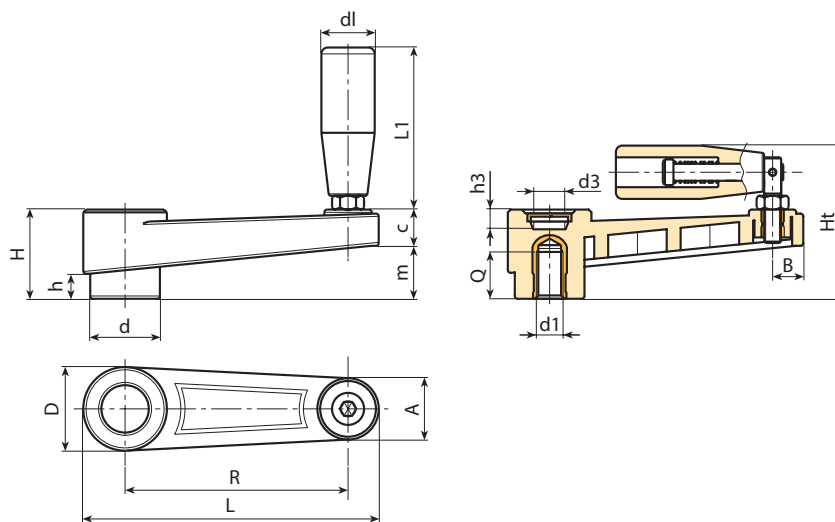
Brass insert with threaded through hole.

Lateral handle:

Revolving, folding handle art. M136 [page].

Special requests:

- Upon request and for special quantities inserts can be supplied in different materials.
- Upon request and for special quantities available in the colours indicated in the chart [page].



Code	Art.	L	R	H	Ht	D	d	m	c	A	B	h	d3	h3	d1 _{6H}	Q	dl	L1	g
-	E218065.TM0801	88,5	65	30	55	27,5	22	17	13	20	9,5	8	14,5	10	M8	13	20	54	78
-	E218065.TM1001	88,5	65	30	55	27,5	22	17	13	20	9,5	8	14,5	10	M10	13	20	54	78
-	E218065.TM1201	88,5	65	30	55	27,5	22	17	13	20	9,5	8	14,5	10	M12	13	20	54	83
-	E218080.TM0801	107	80	33,5	58	32	26	20,5	13	23	11	9	19,5	9,5	M8	13	20	54	94
-	E218080.TM1001	107	80	33,5	58	32	26	20,5	13	23	11	9	19,5	9,5	M10	13	20	54	95
-	E218080.TM1201	107	80	33,5	58	32	26	20,5	13	23	11	9	19,5	9,5	M12	13	20	54	100
-	E218110.TM1001	140	110	39	68	35	29	25	14	24	12	11	19,5	11	M10	13	23,5	76	156
-	E218110.TM1201	140	110	39	68	35	29	25	14	24	12	11	19,5	11	M12	17	23,5	76	156
-	E218110.TM1401	140	110	39	68	35	29	25	14	24	12	11	19,5	11	M14	17	23,5	76	156
-	E218140.TM1201	175	140	49	84	44	35,5	32	17	27	13	15,5	24	19	M12	17	26	89	274
-	E218140.TM1401	175	140	49	84	44	35,5	32	17	27	13	15,5	24	19	M14	17	26	89	283
-	E218140.TM1601	175	140	49	84	44	35,5	32	17	27	13	15,5	24	19	M16(*)	17	26	89	290
-	E218185.TM1201	223	185	55	90	47,5	40	38,5	16,5	27	14	17	29,5	21	M12	17	26	97	340
-	E218185.TM1401	223	185	55	90	47,5	40	38,5	16,5	27	14	17	29,5	21	M14	17	26	97	345
-	E218185.TM1601	223	185	55	90	47,5	40	38,5	16,5	27	14	17	29,5	21	M16(*)	17	26	97	360