

D454

"EUROMODEL" FOUR-ARMS CONTROL HANDWHEEL



MODELLO DEPOSITATO

Materials:

Special technopolymer reinforced with high-strength glass fiber.
Resistant to oils and greases.

Surface finish:

Satin.

Colour:

Black (RAL 9011).

Central cap:

Grey polyamide (RAL 7035). 13.

Alternative cap colours:

Orange (RAL 2004 code 02).
Blue (RAL 5015 code 07).
Yellow (RAL 1021 code 10).
Red (RAL 3000 code 16).
Green (RAL 6024 code 17).
Black (RAL 9011 code 01).

Main insert:

Galvanised steel insert with smooth through bore (tolerance H10).

Hub:

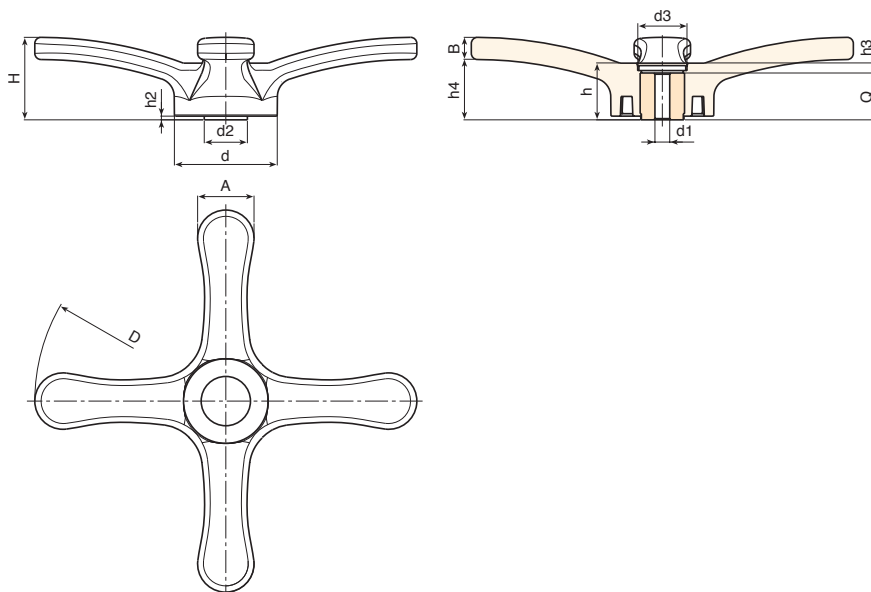
Lightweight hub.

Fixing method:

For fixing systems, or execution of keyways or square holes, please refer to the technical notes attached to the catalogue [page].

Special requests:

- Upon request and for a minimum of 50 pieces inserts can be supplied with hole d1 with tolerance H7 and black oxide treated finish. Add letters ZB to the standard code. Example: D454310.TD1701PZB.
- Upon request and for special quantities inserts can be supplied with custom hole diameter d1.
- Upon request and for special quantities inserts can be supplied with custom threaded hole d1.
- Upon request and for special quantities inserts can be supplied in different materials/with different coatings.



| Code | Art. | D | H | h | d | d2 | A | B | h2 | h3 | h4 | d3 | Dm | d1H10 | Q | |
|------|-----------------|-----|----|------|----|------|------|----|----|-----|----|----|----|-------|----|-----|
| - | D454310.TD0801P | 308 | 66 | 45.5 | 83 | 35.5 | 45.5 | 20 | 3 | 7.5 | 46 | 34 | 26 | 08 | 38 | 900 |

Attention: For a minimum of 50 pieces the diameter d1 can be customised (hole tolerance H10 galvanised and H7 black-oxide treated).
Dm = Maximum obtainable diameter for subsequent machining (widening).