

B324

"EUROMODEL" HANDLE WITH THROUGH HOLE AND CAP



MODELLO DEPOSITATO

Materials:

Reinforced polyamide.
Resistant to oils and greases.

Surface finish:

Satin.

Colour:

Black (RAL 9011).

Standard cap:

Grey polyamide cap (RAL 7035 code 13).

Alternative cap colours:

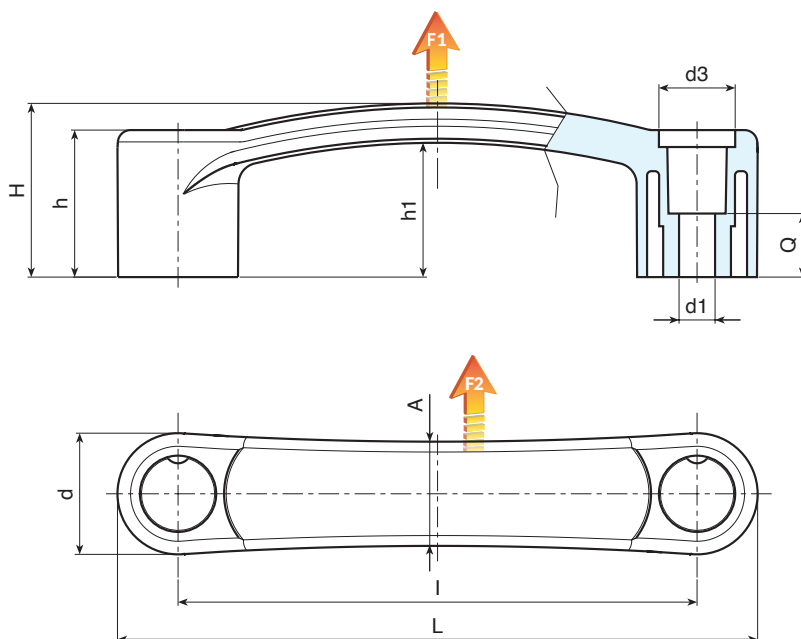
Orange (RAL 2004 code 02).
Blue (RAL 5015 code 07).
Yellow (RAL 1021 code 10).
Red (RAL 3000 code 16).
Green (RAL 6024 code 17).
Black (RAL 9011 code 01).

Hole:

Smooth through hole obtained by moulding the plastic.

Special requests:

- Upon request and for special quantities available in the colours indicated in the chart [page].



| Code | art. | L | I | H | h | h1 | A | d | d3 | Q | d1 | g | F1 (N) | F2 (N) |
|--------------|--------------------|-----|-----|------|------|------|----|----|----|----|-----|----|--------|--------|
| B324094.0003 | B324094.TG06.50113 | 118 | 94 | 37 | 33 | 30 | 21 | 24 | 16 | 14 | 6.5 | 37 | 2500 | 2000 |
| B324117.0006 | B324117.TG06.50113 | 145 | 117 | 40.5 | 34 | 31.5 | 24 | 28 | 18 | 15 | 6.5 | 58 | 3700 | 3500 |
| B324117.0016 | B324117.TG08.50113 | 145 | 117 | 40.5 | 34 | 31.5 | 24 | 28 | 18 | 15 | 8.5 | 57 | 3700 | 3500 |
| B324120.0002 | B324120.TG06.50113 | 148 | 120 | 40.5 | 34 | 31.5 | 24 | 28 | 18 | 15 | 6.5 | 60 | 2900 | 3500 |
| B324120.0011 | B324120.TG08.50113 | 148 | 120 | 40.5 | 34 | 31.5 | 24 | 28 | 18 | 15 | 8.5 | 59 | 2900 | 3500 |
| B324132.0004 | B324132.TG08.50113 | 160 | 132 | 43 | 36.5 | 34 | 24 | 28 | 18 | 15 | 8.5 | 91 | 3200 | 3200 |