

B226

FIXED HANDLE WITH THREADED INSERT

+135°
-30°

PA6
+G.F.

UL94
HB

RoHS
COMPLIANT

Materials:

Reinforced polyamide.

Resistant to oils and greases.

Surface finish:

Satin.

Colour:

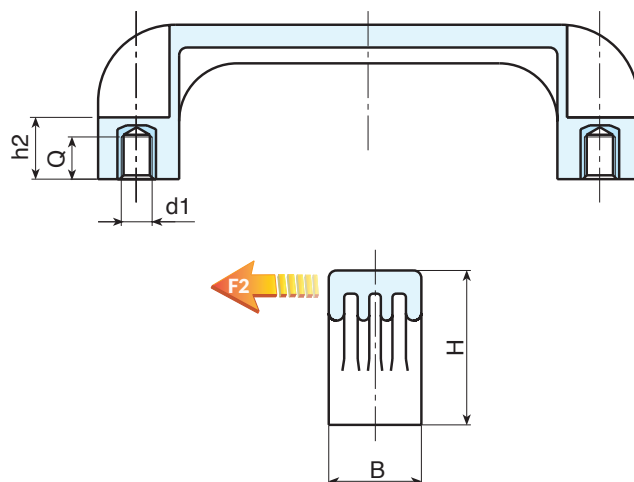
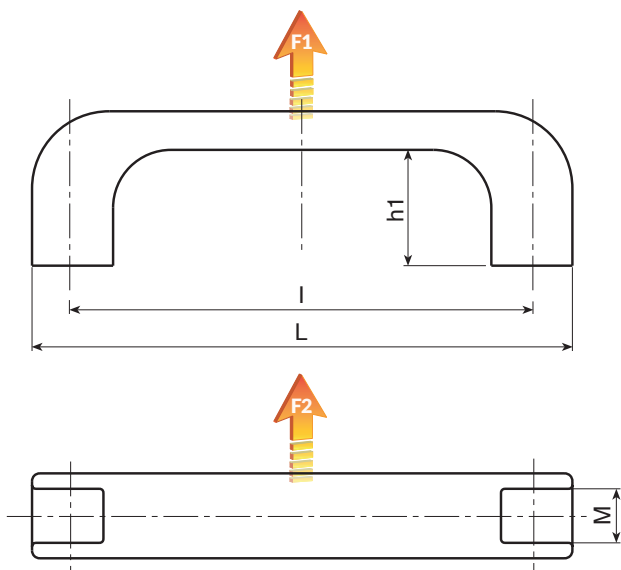
Black (RAL 9011).

Inserts:

Brass insert with female threaded hole (thread tolerance 6H).

Special requests:

- Upon request and for special quantities inserts can be supplied in different materials.
- Upon request and for special quantities available in the colours indicated in the chart [page].



Code	art.	L	I	B	M	H	h1	h2	Q	d16H	g	F1 (N)	F2 (N)
B226094.0001	B226094.TM0501	110	94	21	13	37	29	13	7	M5	23	4300	1300
B226094.0004	B226094.TM0601	110	94	21	13	37	29	13	7	M6	23	4300	1300
B226117.0002	B226117.TM0501	140	117	24	13	40	29	15	10	M5	43	4100	2800
B226117.0004	B226117.TM0601	140	117	24	13	40	29	15	9	M6	43	4100	2800
B226117.0008	B226117.TM0801	140	117	24	13	40	29	15	9	M8	43	4100	2800
B226120.0001	B226120.TM0501	140	120	24	14	40	29	15	10	M5	43	6100	2800
B226120.0003	B226120.TM0601	140	120	24	14	40	29	15	9	M6	43	6100	2800
B226120.0007	B226120.TM0801	140	120	24	14	40	29	15	9	M8	43	6100	2800
B226132.0001	B226132.TM0501	151	132	26	14	43	31	16	10	M5	70	7300	3500
B226132.0003	B226132.TM0601	151	132	26	14	43	31	16	9	M6	70	7300	3500
B226132.0005	B226132.TM0801	151	132	26	14	43	31	16	9	M8	70	3700	2800
B226180.0001	B226180.TM0601	200	180	28	17	51	39	21	14	M6	87	3700	2800
B226180.0002	B226180.TM0801	200	180	28	17	51	39	21	14	M8	88	3700	2800
B226235.0001	B226235.TM0801	262	235	32	20	53	40	21	14	M8	123	4300	3200
B226235.0003	B226235.TM1001	262	235	32	20	53	40	21	14	M10	123	4300	3200