

# B226AE



## SELF-EXTINGUISHING FIXED HANDLE WITH THREADED INSERT

# UL94 - V0

### Materials:

Self-extinguishing reinforced polyamide UL94 V0 with yellow card.  
Resistant to oils and greases.

### Surface finish:

Satin.

### Colour:

Black (RAL 9011).

### Inserts:

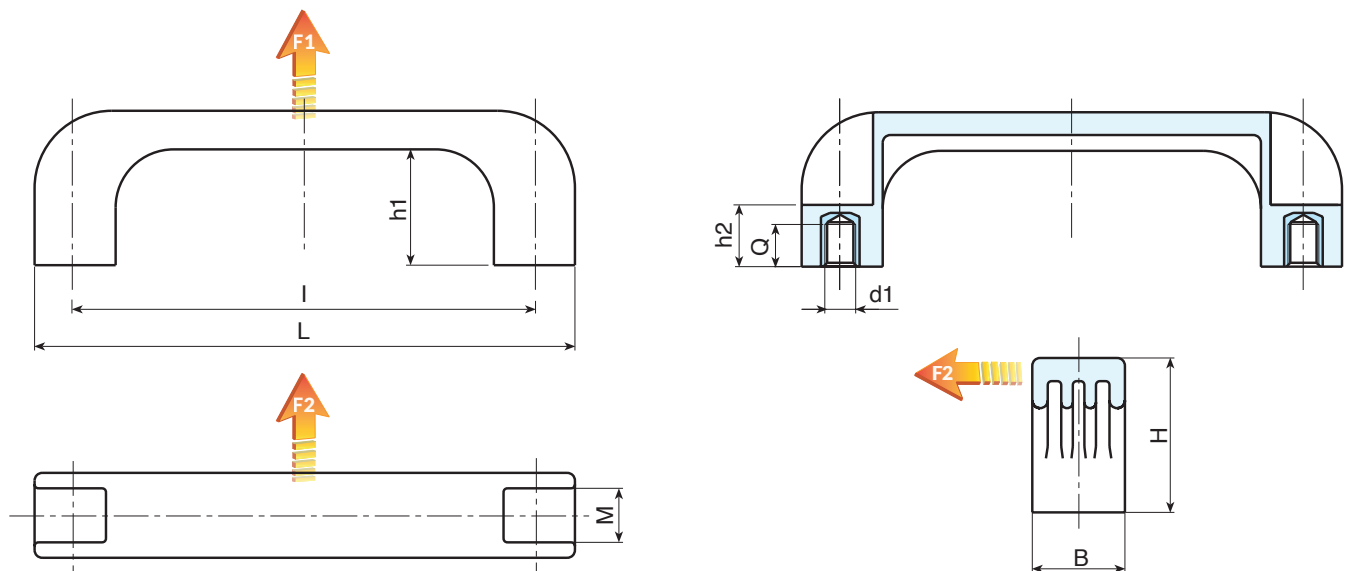
Brass insert with female threaded hole (thread tolerance 6H).

### Special requests:

- Upon request and for special quantities inserts can be supplied in different materials.



B



**UL94 V0**

Code	art.	L	l	B	M	H	h1	h2	Q	d1 <sub>6H</sub>	g	F1 (N)	F2 (N)
B226094.0002	B226094.TM0501AE	110	94	21	13	37	29	13	7	M5	23	4300	1300
B226094.0005	B226094.TM0601AE	110	94	21	13	37	29	13	7	M6	23	4300	1300
B226117.0003	B226117.TM0501AE	140	117	24	13	40	29	15	10	M5	43	4100	2800
B226117.0005	B226117.TM0601AE	140	117	24	13	40	29	15	9	M6	43	4100	2800
B226117.0009	B226117.TM0801AE	140	117	24	13	40	29	15	9	M8	43	4100	2800
B226120.0002	B226120.TM0501AE	140	120	24	14	40	29	15	10	M5	43	6100	2800
B226120.0004	B226120.TM0601AE	140	120	24	14	40	29	15	9	M6	43	6100	2800
B226120.0008	B226120.TM0801AE	140	120	24	14	40	29	15	9	M8	43	6100	2800
B226132.0002	B226132.TM0501AE	151	132	26	14	43	31	16	10	M5	70	7300	3500
B226132.0004	B226132.TM0601AE	151	132	26	14	43	31	16	9	M6	70	7300	3500
B226132.0006	B226132.TM0801AE	151	132	26	14	43	31	16	9	M8	70	3700	2800
B226180.0003	B226180.TM0801AE	200	180	28	17	51	39	21	14	M8	88	3700	2800
B226235.0002	B226235.TM0801AE	262	235	32	20	53	40	21	14	M8	123	4300	3200
B226235.0004	B226235.TM1001AE	262	235	32	20	53	40	21	14	M10	123	4300	3200